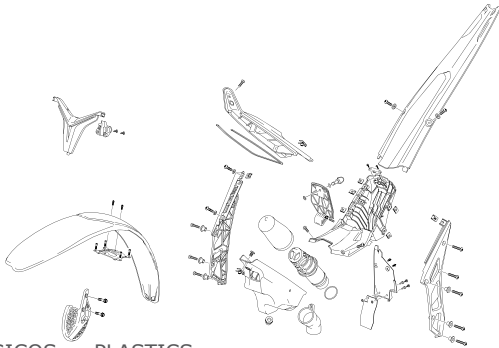




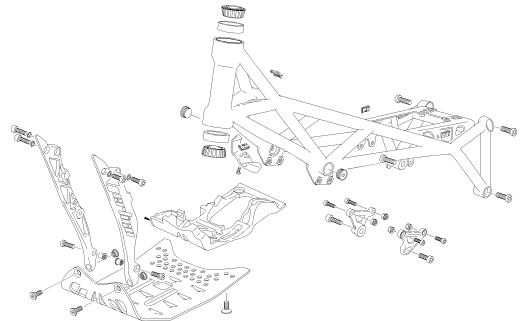
CATÁLOGO RECAMBIOS / SPARE PARTS BOOK / PIÈCES DÉTACHÉES

PG. 1-2



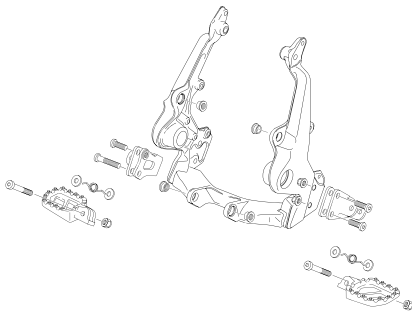
PLÁSTICOS - PLASTICS

PG. 3



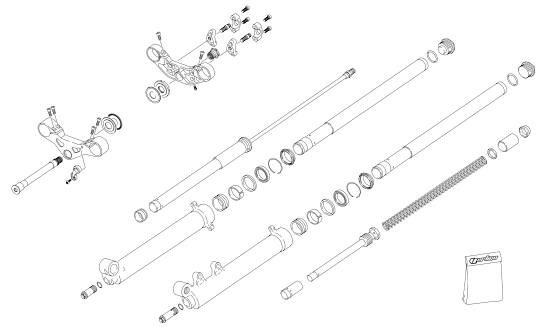
BASTIDOR - FRAME

PG. 4



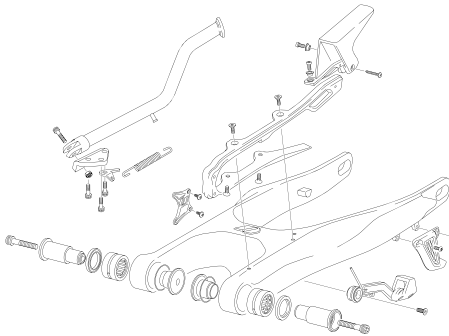
SUBCHASIS - SUBFRAME

PG. 5-6



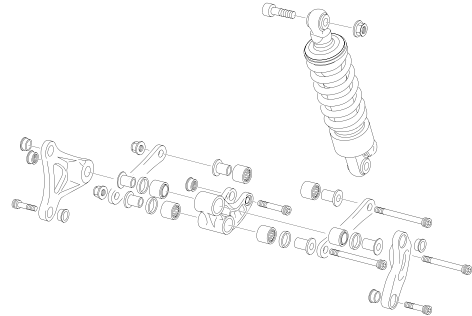
HORQUILLA SUSPENSIÓN - FORK

PG. 7



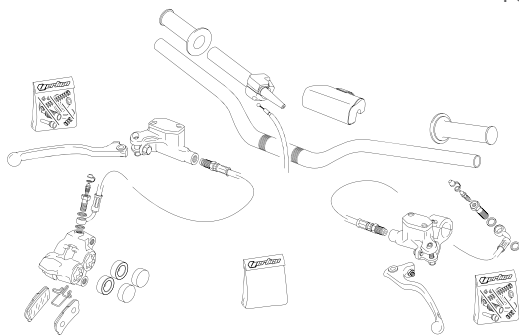
BASCULANTE - SWINGARM

PG. 8



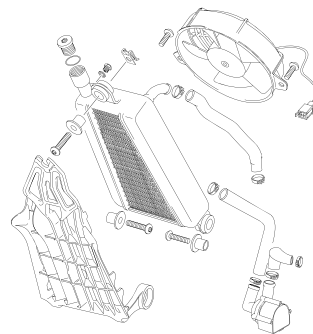
AMORTIGUACIÓN - ROCKER

PG. 9



MANILLAR - HANDLEBAR

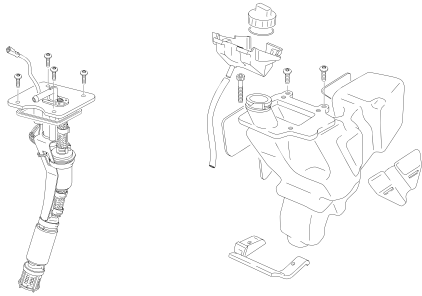
PG. 10



REFRIGERACIÓN - COOLING SYSTEM

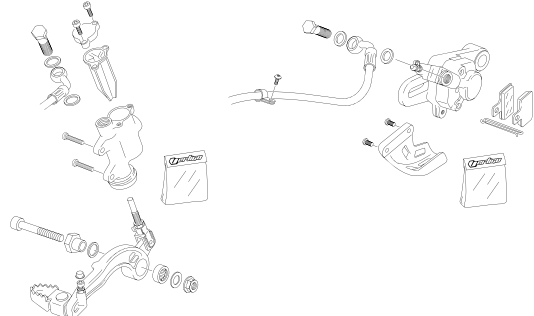


PG. 11



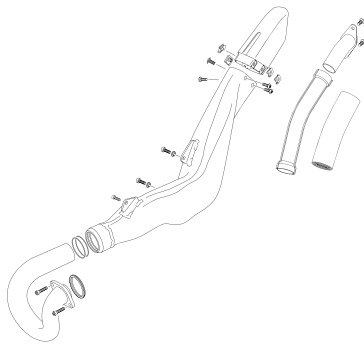
DEPÓSITO DE GASOLINA - FUEL TANK

PG. 12



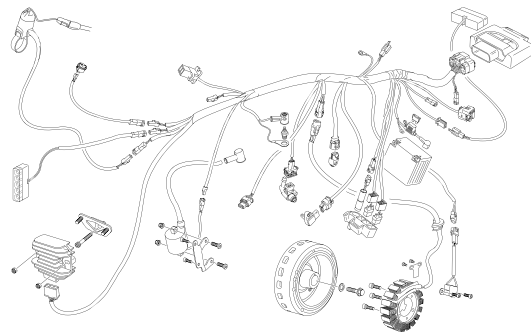
FRENO TRASERO - REAR BRAKE

PG. 13



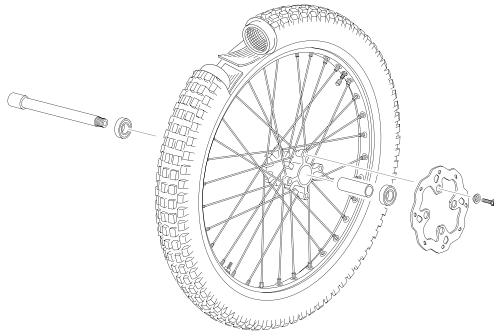
ESCAPE - EXHAUST

PG. 14



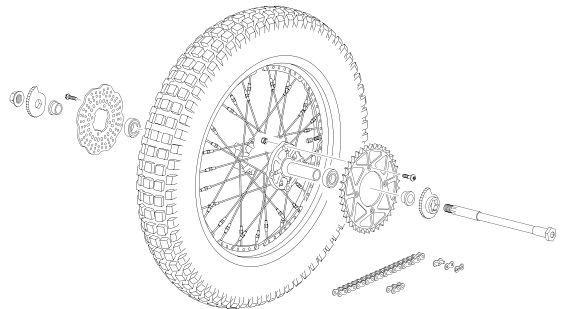
INSTALACIÓN ELÉCTRICA - ELECTRICAL SYSTEM

PG. 15



RUEDA DELANTERA - FRONT WHEEL

PG. 16



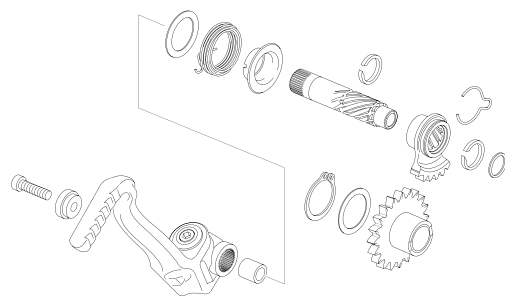
RUEDA TRASERA - REAR WHEEL

PG. 17



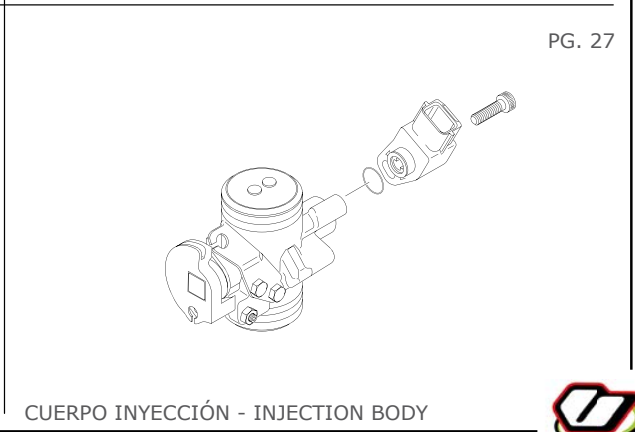
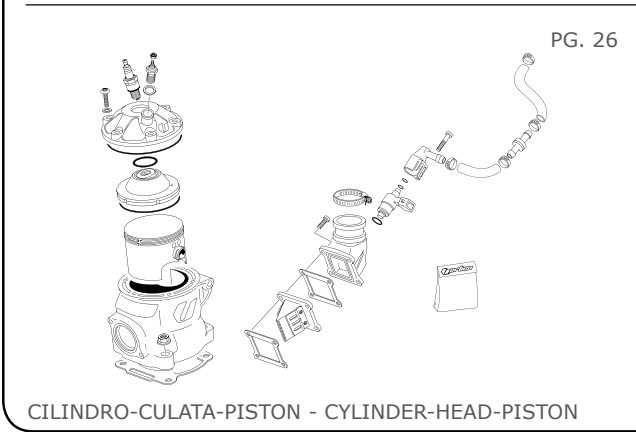
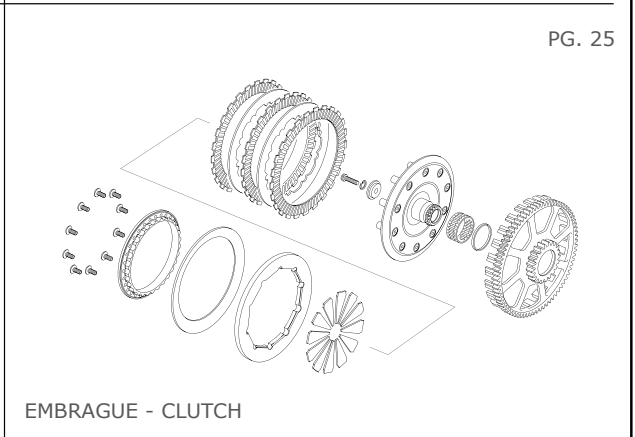
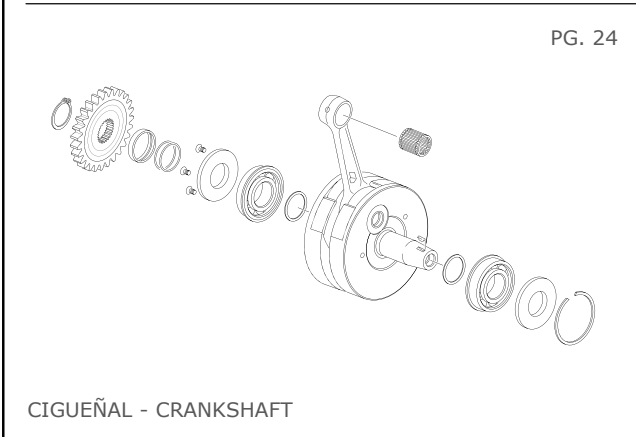
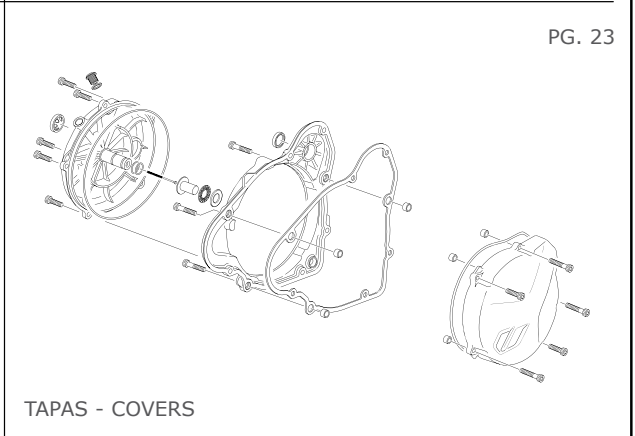
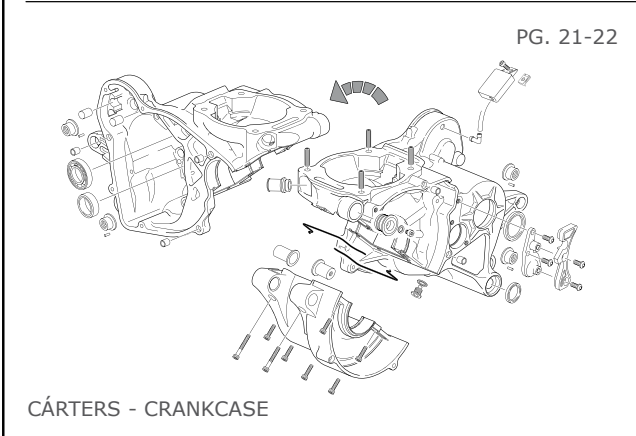
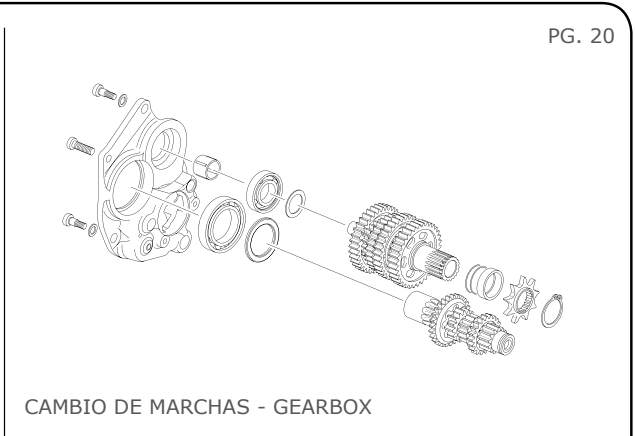
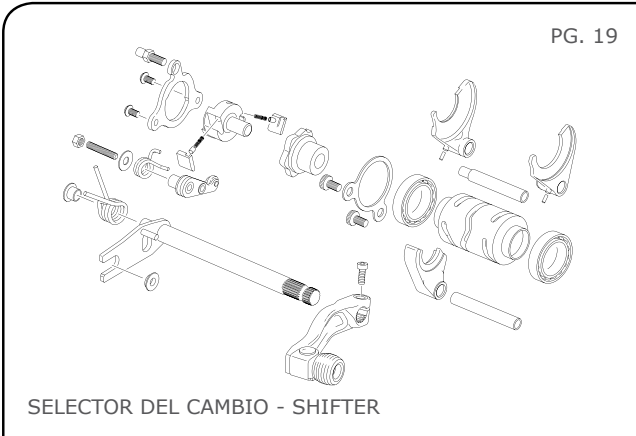
ADHESIVOS - STICKERS

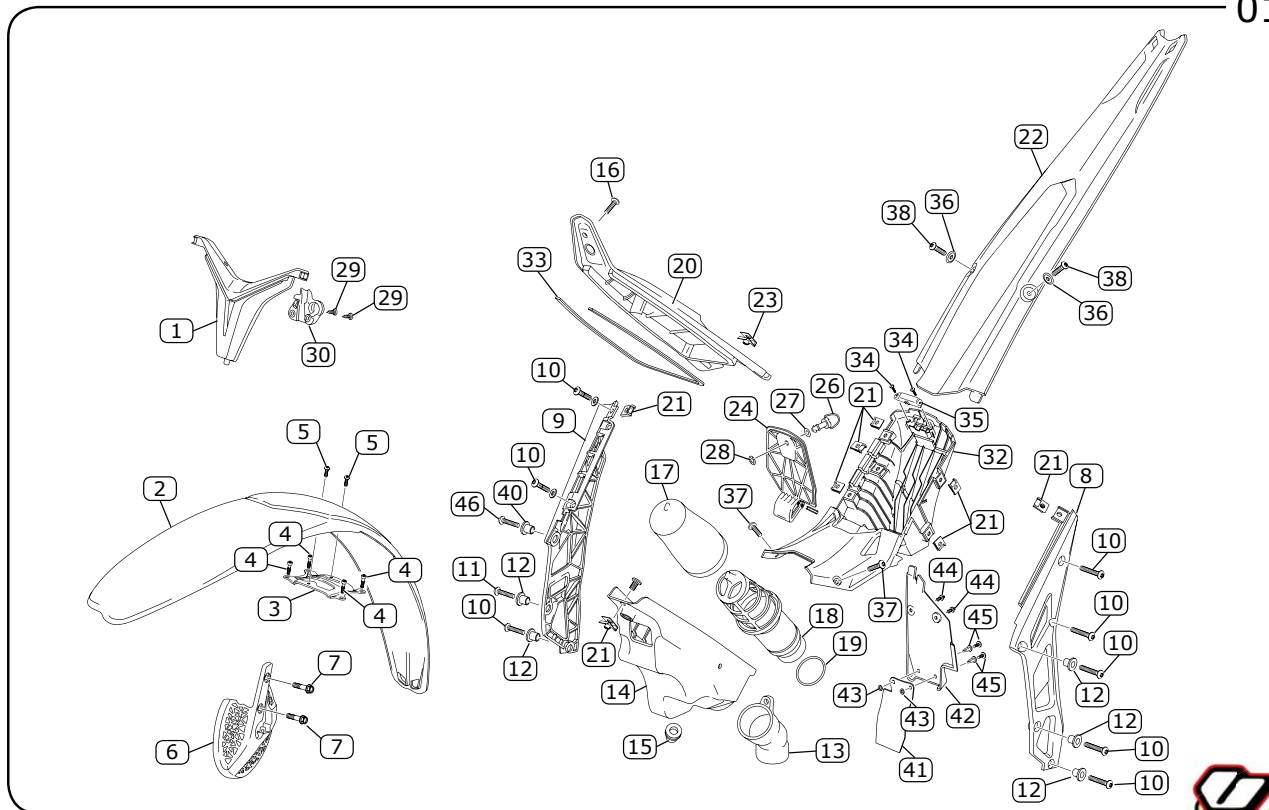
PG. 18



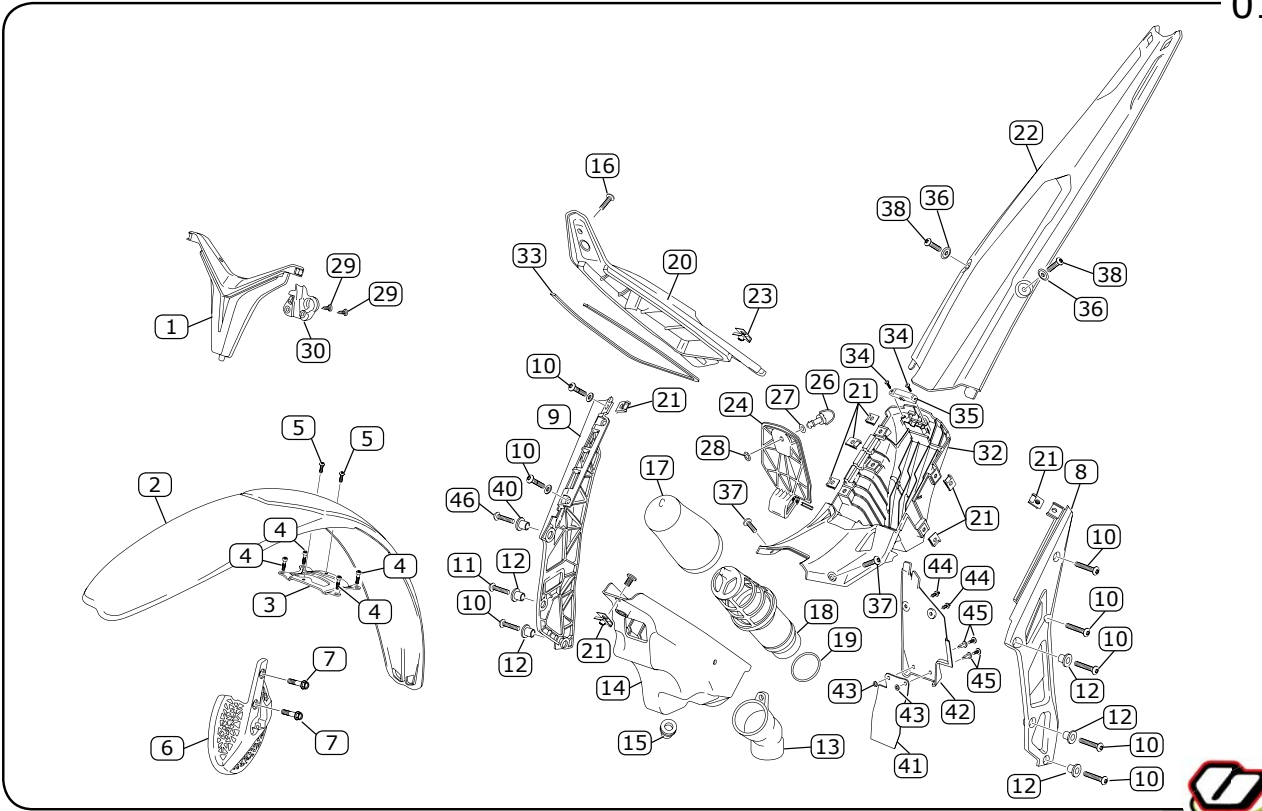
SISTEMA DE ARRANQUE - STARTING SYSTEM



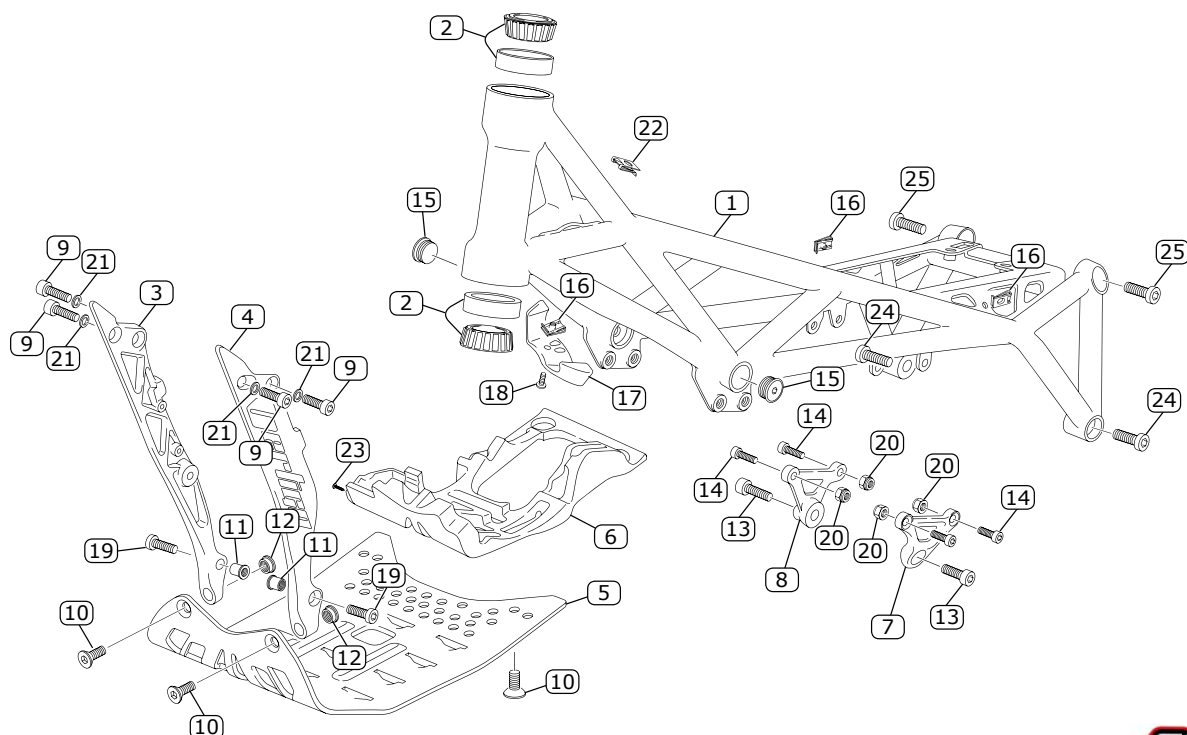




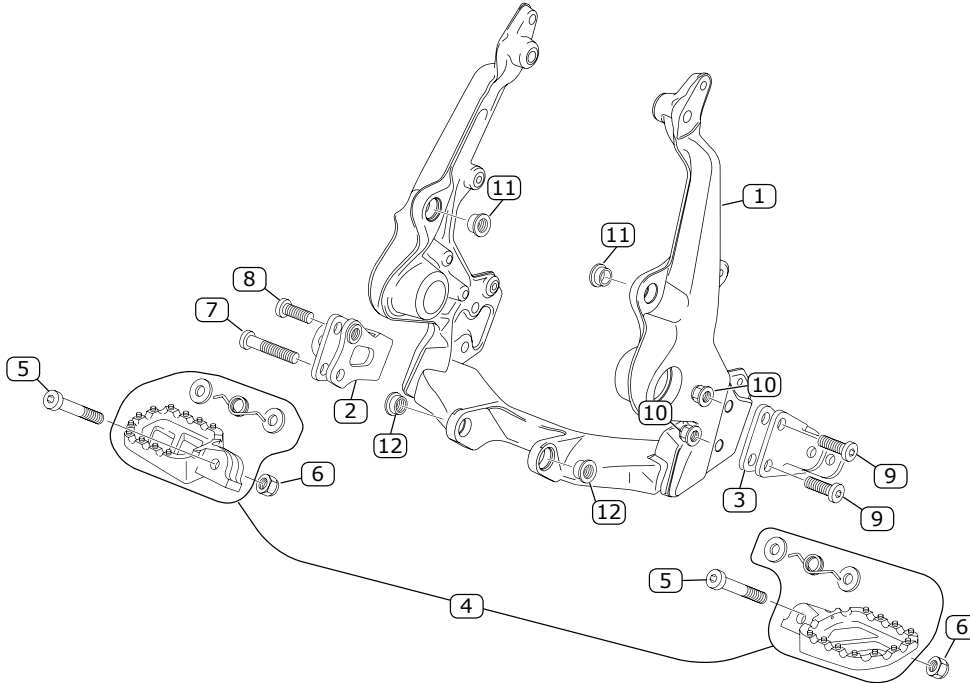
| POS. | COD. | DESCRIPCIÓN | DESCRIPTION | QTY. |
|------|--------|---|--|------|
| 1 | V-2010 | CARETA NEGRA MY22 | FRONT LIGHT COVER BLACK MY22 | 1 |
| 2 | V-2046 | GUARDABARROS DELANTERO NEGRO JBR MY22 | FRONT BLACK MUDGUARD MY22 | 1 |
| 3 | V-0428 | PUENTE HORQUILLA | FRONT MUDGUARD HOLDER | 1 |
| 4 | V-0680 | TORNILLO ESPECIAL M6X14 8.8 | SPECIAL SCREW M6X14 8.8 | 4 |
| 5 | V-0440 | TORNILLO M5X6 ISO 7380 8.8 | SCREW M5X6 ISO 7380 8.8 | 2 |
| 6 | V-0407 | PROTECTOR DISCO FRENO DELANTERO | FRONT BRAKE DISC COVER | 1 |
| 7 | V-0463 | TORNILLO ESPECIAL M8X30 DIN6921 8.8 | SCREW M8X30 DIN6921 8.8 | 2 |
| 8 | V-1857 | PROTECTOR ESCAPE NITRO IZQUIERDO | R4 LEFT EXHAUST COVER | 1 |
| 9 | V-1858 | PROTECTOR ESCAPE NITRO DERECHO | R4 RIGH EXHAUST COVER | 1 |
| 10 | V-0646 | TORNILLO M6X16 ISO7380 8.8 | SCREW M6X16 ISO 7380-1 8.8 | 8 |
| 11 | V-0560 | TORNILLO M6X20 ISO7380 10.9 NQ | SCREW M6X20 ISO7380 10.9 NQ | 1 |
| 12 | V-1944 | CASQUILLO LIMITADOR COMPRESION M6 | M6 COMPRESSION LIMITER SLEEVE | 5 |
| 13 | V-1981 | GOMA TOBERA-CAJA FILTRO CON SENSOR PRESION+TEMP | THROTTLE BODY MANIFOLD WITH PRESSURE + TEMP SENSOR | 1 |
| 14 | V-1722 | CAJA FILTRO R | AIRBOX R | 1 |
| 15 | V-0420 | VALVULA CAJA FILTRO | AIRBOX VALVE | 1 |
| 16 | V-1064 | TORNILLO M6X16 ISO7380-1 10.9 | SCREW M6X16 ISO7380-1 10.9 | 1 |
| 17 | V-1726 | FILTRO TWIN AIR R | TWIN AIR R FILTER FOAM | 1 |
| 18 | V-1724 | REJILLA FILTRO AIRE R | AIR FILTER GRID R | 1 |
| 19 | V-1777 | TORICA NBR DIN3771 42.52X2.62MM | O-RING NBR DIN3771 42.52X2.62MM | 1 |
| 20 | V-2006 | TAPA TURBO NITRO NEGRA MY22 | BLACK NITRO TURBO COVER MY22 | 1 |
| 21 | V-0679 | TUERCA RAPIDA TRT-M6 | FAST NUT TRT-M6 | 8 |
| 22 | V-2009 | GUARDABARROS TRASERO NEGRO JBR MY22 | REAR BLACK MUDGUARD MY22 | 1 |
| 23 | V-0572 | BASE CIERRE 1/4 VUELTA | CLOSE 1/4 TURN HOLDER | 1 |
| 24 | V-2007 | TAPA DEPOSITO NEGRA MY22 | BLACK PETROL TANK COVER MY22 | 1 |
| 25 | V-0809 | PASADOR TAPA DEPÓSITO GASOLINA | FUEL TANK COVER PIN | 1 |
| 26 | V-0571 | CIERRE 1/4 VUELTA | 1/4 TURN SCREW | 1 |
| 27 | V-0658 | ARANDELA NYLON | NYLON WASHER | 1 |
| 28 | V-0657 | RETEN ACERO INOX. CIERRE 1/4 VUELTA | 1/4 TURN STAINLESS STEEL WASHER | 1 |
| 29 | V-1026 | TORNILLO DE ROSCA CHAPA 3.9X13 | SCREW 3.9X13 | 2 |
| 30 | V-0832 | SOPORTE LED DELANTERO | FRONT LED LIGHT SUPPORT | 1 |



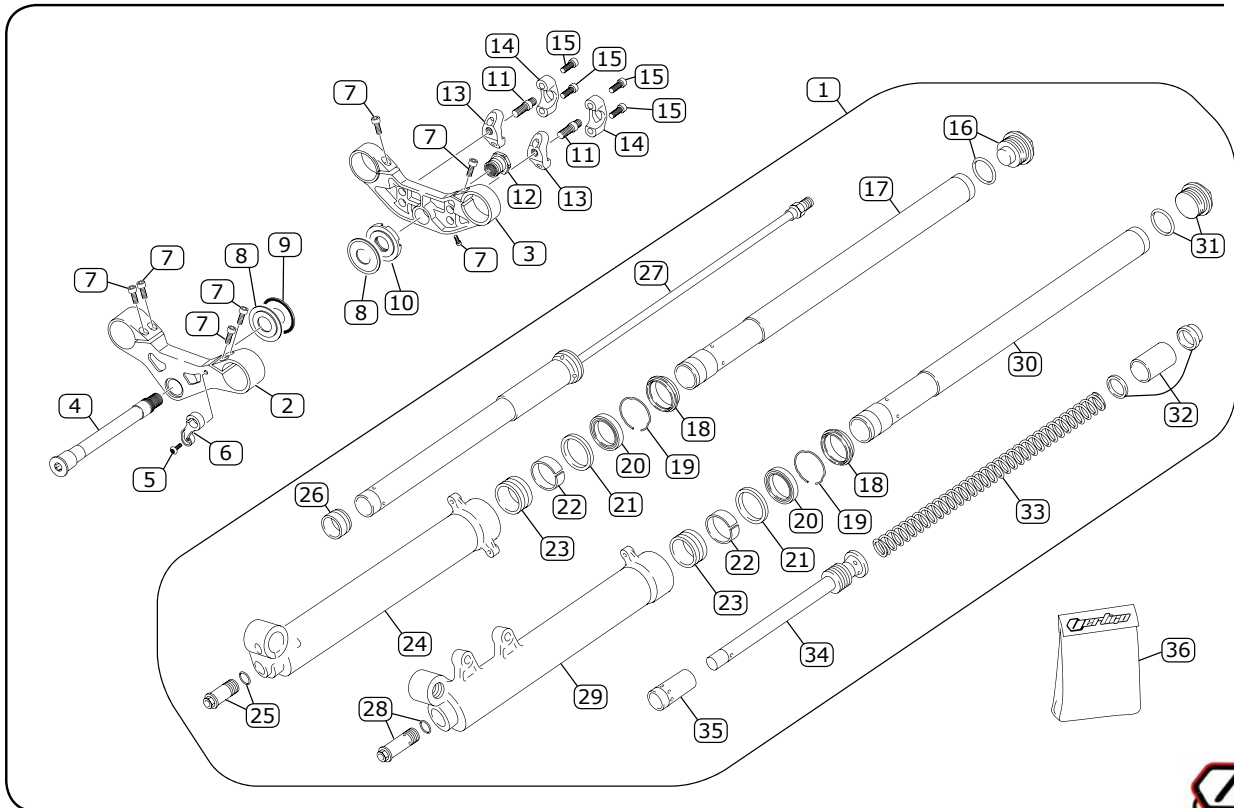
| POS. | COD. | DESCRIPCIÓN | DESCRIPTION | QTY. |
|------|--------|--|--------------------------------|------|
| 31 | V-1529 | TORNILLO M6X20 DIN7991 | M6X20 DIN7991 | 1 |
| 32 | V-2008 | SILLETA NITRO NEGRA MY22 | NITRO BLACK SEAT MY22 | 1 |
| 33 | V-1725 | JUNTA TAPA AIRBOX R | R AIRBOX O-RING | 1 |
| 34 | V-1538 | TORNILLO ROSCA ALO TO A-2 3.5X14 | SCREW ALO TO A-2 3.5X14 | 2 |
| 35 | V-1862 | BRIDA LED | LED CLAMP | 1 |
| 36 | V-1463 | CASQUILLO GUARDABARROS TRASERO | REAR MUDGUARD SLEEVE | 2 |
| 37 | V-1064 | TORNILLO M6X16 ISO7380-1 10.9 | SCREW M6X16 ISO7380-1 10.9 | 2 |
| 38 | V-1528 | TORNILLO M6X12 DIN7991 | SCREW M6X12 DIN7991 | 2 |
| 39 | V-1652 | TORNILLO M6X32 10.9 7380 | SCREW M6X32 10.9 7380 | 1 |
| 40 | V-1943 | CASQUILLO LIMITADOR COMPRESION M8 | M8 COMPRESSION LIMITER SLEEVE | 1 |
| 41 | V-1947 | BAVETE AMORTIGUADOR NITRO | NITRO SHOCK DUST COVER | 1 |
| 42 | V-1859 | PROTECTOR POST DEP NITRO | NITRO POST DEPOSIT PROTECTOR | 1 |
| 43 | | | | 2 |
| 44 | V-1960 | REMACHE PROTECTOR POST DEPOSITO | POST DEPOSIT RIVET PROTECTOR | 2 |
| 45 | V-1559 | REMACHE UNIVERSAL 5.5MM | UNIVERSAL RIVET 5.5MM | 2 |
| 46 | V-1692 | TORNILLO M8X25 DIN 912 10.9 NIQUEL NEGRO | SCREW M8X25 DIN 912 10.9 BLACK | 1 |



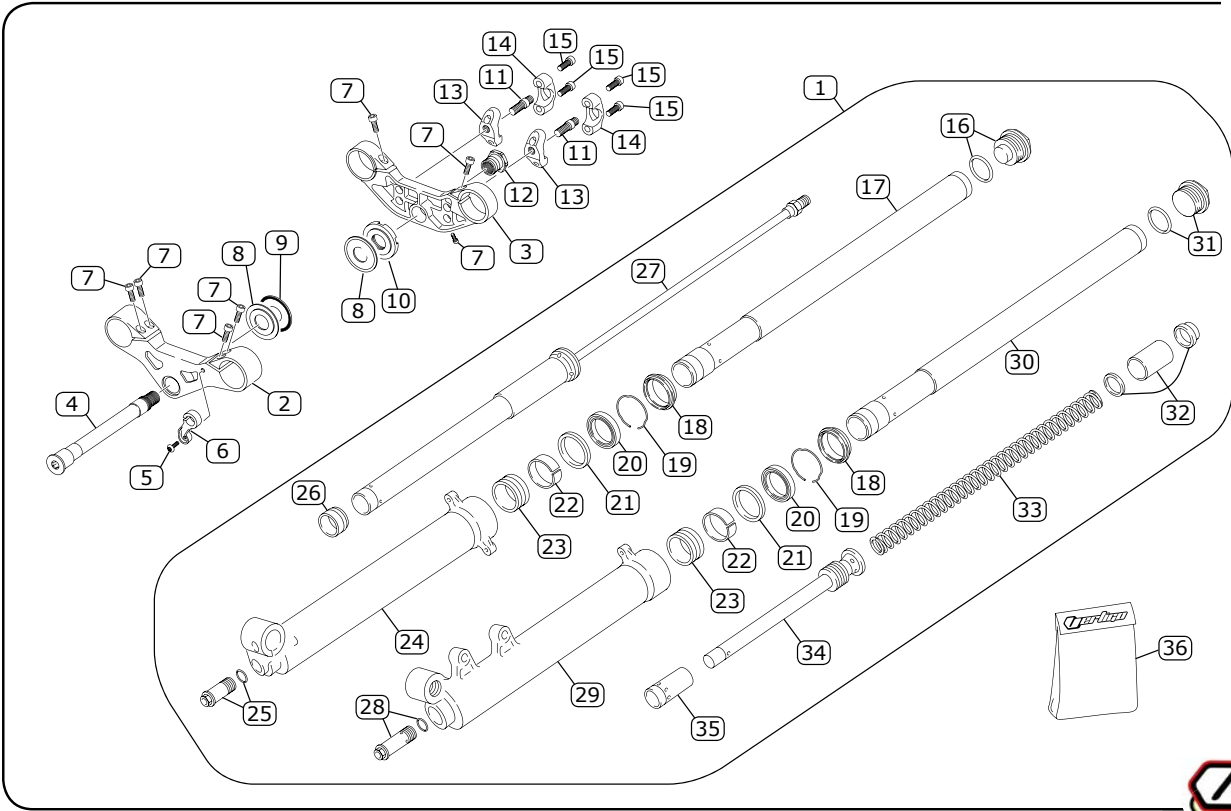
| POS. | COD. | DESCRIPCIÓN | DESCRIPTION | QTY. |
|------|--------|--|--------------------------------|------|
| 1 | V-2039 | CHASIS NITRO JBR MY22 | NITRO JBR FRAME MY22 | 1 |
| 2 | V-0280 | RODAMIENTO DIRECCIÓN 32004-X | BEARING 32004-X STEERING TUBE | 2 |
| 3 | V-1754 | SUBCHASIS DELANTERO DERECHO NEGRO | FRONT BLACK RIGHT SUBFRAME | 1 |
| 4 | V-1755 | SUBCHASIS DELANTERO IZQUIERDO NEGRO | FRONT BLACK LEFT SUBFRAME | 1 |
| 5 | V-2027 | PROTECTOR CARTER JBR MY22 | JBR MY22 SKID PLATE | 1 |
| 6 | V-1909 | GOMA PROTECTOR CARTER NITRO | NITRO SKID PLATE RUBBER | 1 |
| 7 | V-1753 | TIRANTE CILINDRO NEGRO IZQUIERDO | LEFT CYLINDER BLACK SUPPORT | 1 |
| 8 | V-1752 | TIRANTE CILINDRO NEGRO DERECHO | RIGHT CYLINDER SUPPORT BLACK | 1 |
| 9 | V-1691 | TORNILLO M8X16 DIN7984 | SCREW M8X16 DIN7984 | 4 |
| 10 | V-0456 | TORNILLO M8X16 DIN 7991 8.8 | SCREW M8X16 DIN 7991 8.8 | 6 |
| 11 | V-0328 | CASQUILLO SUBCHASIS DEL. | FRONT SUBFRAME SLEEVE | 2 |
| 12 | V-0327 | CASQUILLO ROSCADO SUBCHASIS DEL. | FRONT SUBFRAME THREADED SLEEVE | 2 |
| 13 | V-1693 | TORNILLO M8X20 | SCREW M8X20 | 2 |
| 14 | V-1694 | TORNILLO M6X16 DIN912 8.8 | SCREW M6X16 DIN912 8.8 | 4 |
| 15 | V-0581 | TAPÓN BASTIDOR TUBULAR | TUBULAR FRAME CAP | 2 |
| 16 | V-0653 | TUERCA RAPIDA TRT-M5-1 | FAST NUT TRT-M5-1 | 2 |
| 17 | V-0573 | TOPE DIRECCIÓN | STEERING STOP | 1 |
| 18 | V-0433 | TORNILLO M5X16 ISO7380 8.8 | SCREW M5X16 ISO7380 8.8 | 1 |
| 19 | V-1692 | TORNILLO M8X25 DIN 912 10.9 | SCREW M8X25 DIN 912 10.9 | 2 |
| 20 | V-0836 | TUERCA DIN 985 M6 | NUT DIN 985 M6 | 4 |
| 21 | V-1526 | ARANDELA DIN7980 M-8 ZN | WASHER DIN7980 M-8 ZN | 4 |
| 22 | V-1761 | TUERCA ENJAULADA M6 | M6 CAGE NUT | 1 |
| 23 | V-1251 | TORNILLO M4.2X18 DIN 7981 NQ | SCREW 4.2X32 DIN 7981 | 1 |
| 24 | V-0455 | TORNILLO M10X16 DIN912 10.9 ZINC PLATA | SCREW M10X16 DIN 912 10.9 | 2 |
| 25 | V-1955 | TORNILLO 10X30 DIN 912 | SCREW 10X30 DIN 912 | 2 |



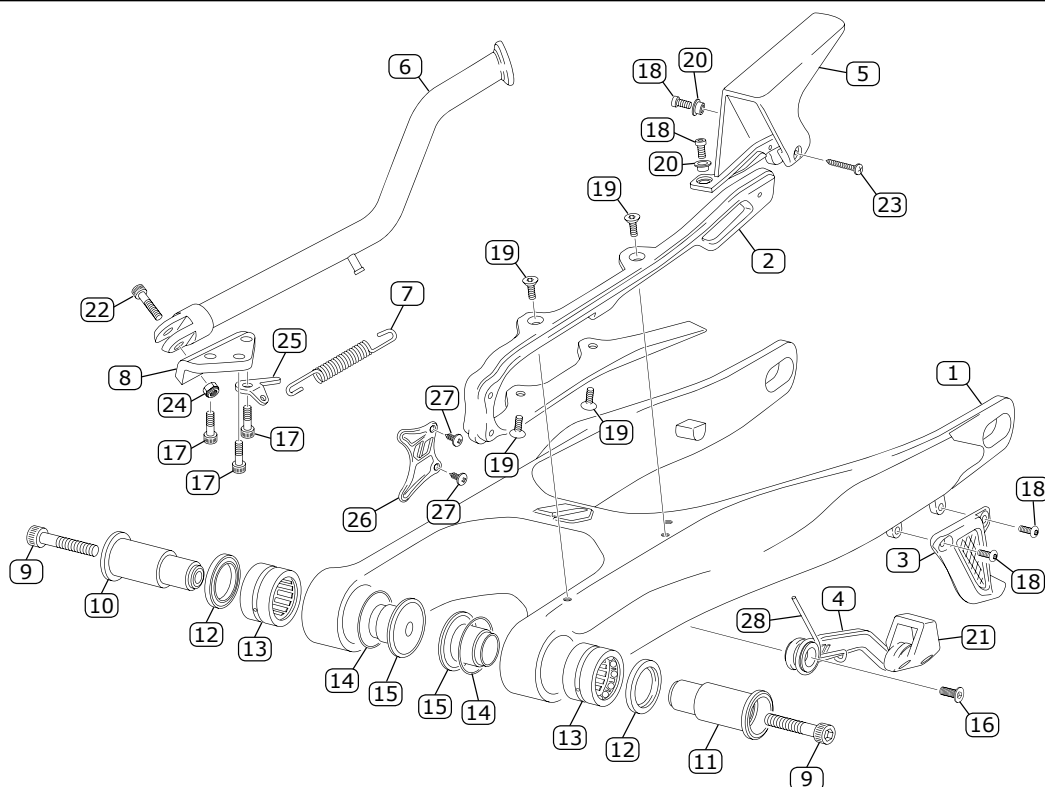
| POS. | COD. | DESCRIPCIÓN | DESCRIPTION | QTY. |
|------|--------|---------------------------------------|--------------------------------|------|
| 1 | V-1954 | SUBCHASIS TRAS. NITRO | NITRO REAR SUBFRAME | 1 |
| 2 | V-0425 | SOPORTE ESTRIBERA DER. | RIGHT FOOTREST SUPPORT | 1 |
| 3 | V-0426 | SOPORTE ESTRIBERA IZQ. | LEFT FOOTREST SUPPORT | 1 |
| 4 | V-1796 | SET ESTRIBERAS VERTIGO NEGRO | VERTIGO BLACK FOOTREST SET | 1 |
| 5 | V-0469 | TORNILLO ESPECIAL M8X45 8.8 | SCREW M8X45 8.8 | 2 |
| 6 | V-0470 | TUERCA M8 AUTOBLOCANTE | M8 AUTOLOCK NUT | 2 |
| 7 | V-0466 | TORNILLO M8X50 DIN6912 10.9 | SCREW M8X50 DIN6912 10.9 | 1 |
| 8 | V-0443 | TORNILLO ESPECIAL M8X20 DIN 6912 10.9 | SCREW M8X20 DIN 6912 10.9 | 1 |
| 9 | V-0459 | TORNILLO ESPECIAL M8X28 DIN 6912 10.9 | SCREW M8X28 DIN 6912 10.9 | 2 |
| 10 | V-0471 | TUERCA M8 DIN 6923 | NUT M8 DIN 6923 | 2 |
| 11 | V-0322 | CASQUILLO ROSCADO SOPORTE TRASERO M10 | REAR FRAME THREADED SLEEVE M10 | 2 |
| 12 | V-0392 | CASQUILLO PASANTE M10 | THROUGH SLEEVE M10 | 2 |



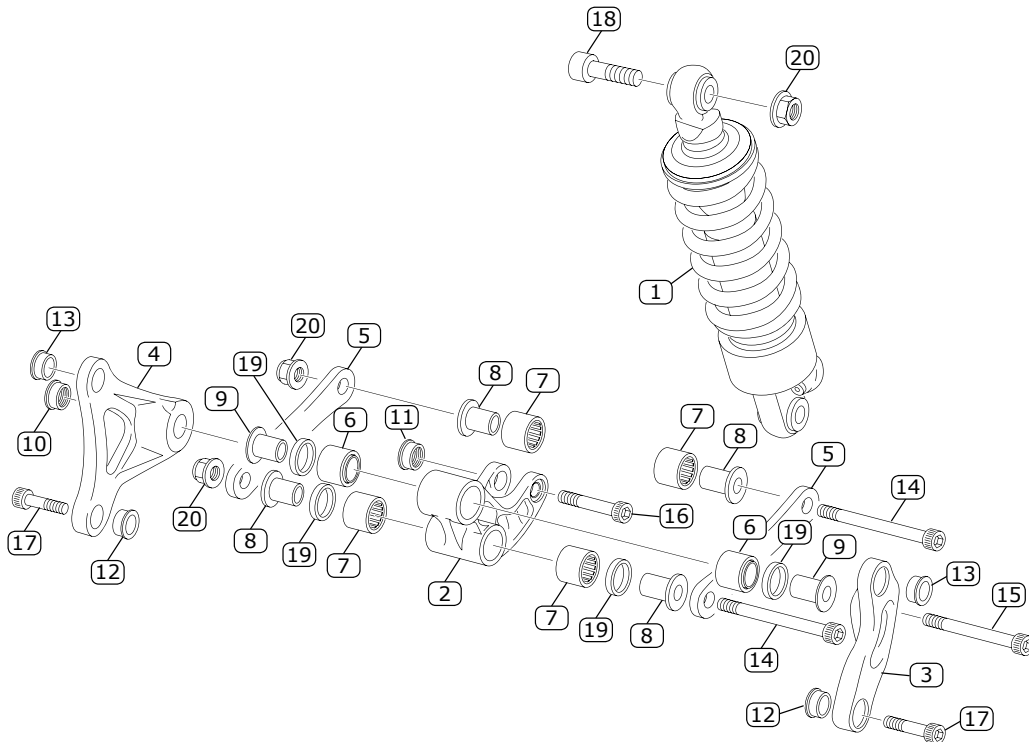
| POS. | COD. | DESCRIPCIÓN | DESCRIPTION | QTY. |
|------|--------|--------------------------------------|------------------------------------|------|
| 1 | V-1663 | HORQUILLA SUSPENSION TECH RACING ORO | TECH RACING GOLD FRONT FORK SET | 1 |
| 2 | V-1824 | PLATINA INFERIOR 2021 | 2021 LOWER TRIPLE CLAMP | 1 |
| 3 | V-1823 | PLATINA SUPERIOR 2021 | 2021 UPPER TRIPLE CLAMP | 1 |
| 4 | V-0516 | EJE DIRECCIÓN | STEERING AXLE | 1 |
| 5 | V-0643 | TORNILLO M5 X 6MM | SCREW M5 X 6MM | 1 |
| 6 | V-0519 | GUIA LATIGUILLO FRENO DEL. | BRAKE HOSE GUIDE | 1 |
| 7 | V-1695 | TORNILLO M6 X 20 MM | SCREW M6 X 20 MM | 7 |
| 8 | V-0541 | ARANDELA PROTECCIÓN DIRECCIÓN | STEERING PROTECTOR WASHER | 1 |
| 9 | V-0542 | ARANDELA DIRECCIÓN | STEERING WASHER | 1 |
| 10 | V-1308 | TUERCA DIRECCIÓN INF. ROJA | RED LOWER STEERING NUT | 1 |
| 11 | V-1833 | TORNILLO M10X20 DIN 7984 10.9 NEGRO | SCREW M10X20 DIN 7984 10.9 BLACK | 2 |
| 12 | V-1307 | TUERCA DIRECCION ROJA | RED STEERING NUT | 1 |
| 13 | V-1826 | BRIDA MANILLAR INFERIOR 2021 | 2021 LOWER HANDLEBAR CLAMP | 2 |
| 14 | V-1825 | BRIDA MANILLAR SUPERIOR 2021 | 2021 UPPER HANDLEBAR CLAMP | 2 |
| 15 | V-1692 | TORNILLO M8 X 25 MM | SCREW M8 X 25 MM | 4 |
| 16 | V-0980 | TAPÓN HORQUILLA DER. | RIGHT FORK CAP | 1 |
| 17 | V-0999 | BARRA HORQUILLA DERECHA | RIGHT STANCHION TUBE | 1 |
| 18 | V-0696 | GUARDAPOLVO SUSPENSIÓN DEL. | FRONT FORK DUST SEAL | 2 |
| 19 | V-0990 | ANILLO RETENCIÓN | RING STOPPER | 2 |
| 20 | V-0695 | RETÉN SUSPENSIÓN DEL. | FRONT FORK OIL SEAL | 2 |
| 21 | V-0991 | ANILLO RETENCIÓN RETÉN | RING STOP BUSHING OIL SEAL | 2 |
| 22 | V-0992 | COJINETE DE FRICCIÓN 39X43X15 | BUSH 39X43X15 | 2 |
| 23 | V-0993 | COJINETE DE FRICCIÓN 38X40X20 | BUSH 38X40X20 | 2 |
| 24 | V-0994 | BOTELLA DERECHA | RIGHT LEG | 1 |
| 25 | V-0995 | TORNILLO DE BLOQUEO HIDRÁULICO + AR | LOCK SCREW HYDRAULIC PUMP + WASHER | 1 |
| 26 | V-0996 | CONO TOPE DERECHO | CONE LIMIT RIGHT | 1 |
| 27 | V-0997 | CARTUCHO | CARTRIDGE | 1 |
| 28 | V-0989 | TORNILLO REGULACIÓN AGUJA + AR | NEEDLE REGULATION SCREW + WASHER | 1 |
| 29 | V-0988 | BOTELLA IZQUIERDA | LEFT LEG | 1 |
| 30 | V-0983 | BARRA HORQUILLA IZQUIERDA | LEFT STANCHION TUBE | 1 |



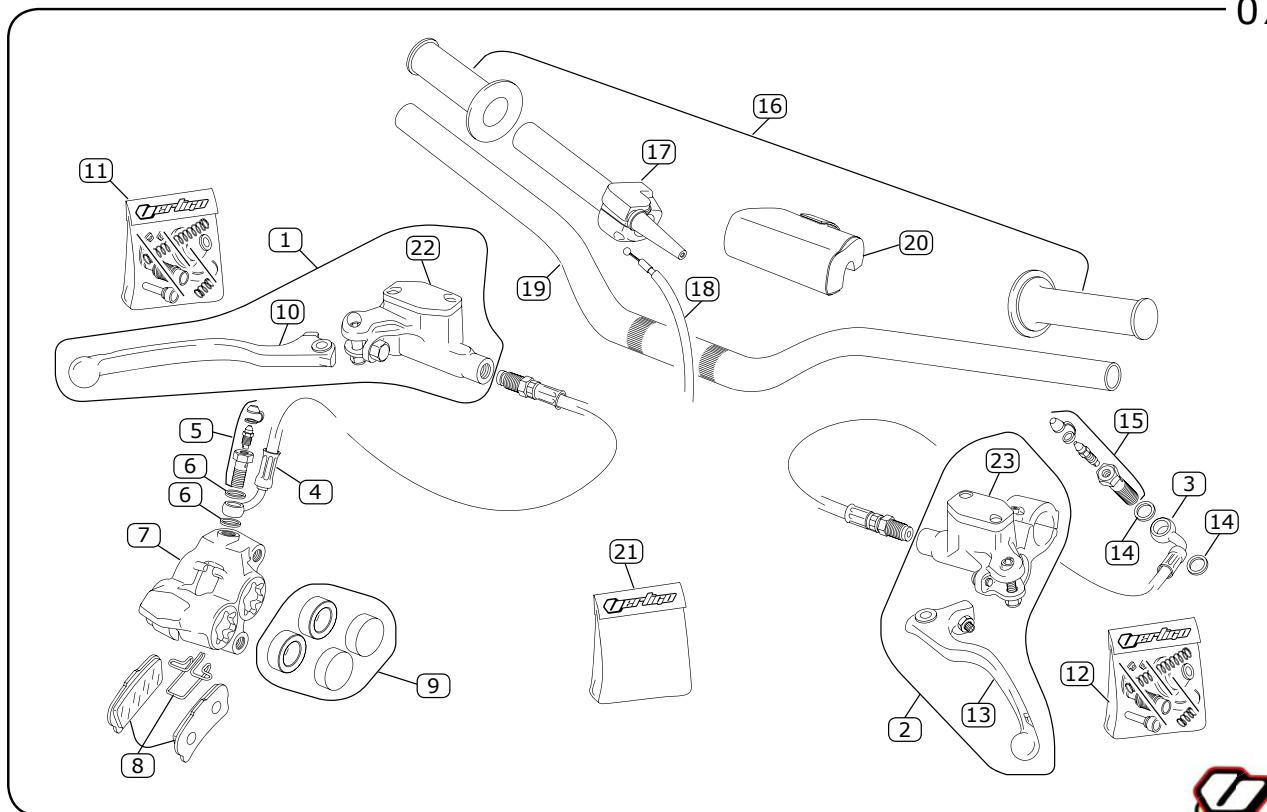
| POS. | COD. | DESCRIPCIÓN | DESCRIPTION | QTY. |
|------|--------|------------------------------|----------------------|------|
| 31 | V-0981 | TAPÓN HORQUILLA IZQUIERDA | LEFT FORK CAP | 1 |
| 32 | V-0984 | ESPACIADORES MUELLE | SPACERS SPRING | 1 |
| 33 | V-0985 | MUELLE | SPRING | 1 |
| 34 | V-0986 | BOMBA MECÁNICA | MECHANICAL PUMP | 1 |
| 35 | V-0987 | CONO TOPE IZQUIERDO | CONE LIMIT LEFT | 1 |
| 36 | V-0998 | KIT JUNTAS TAPONES HORQUILLA | FORK CAP WASHERS KIT | 1 |



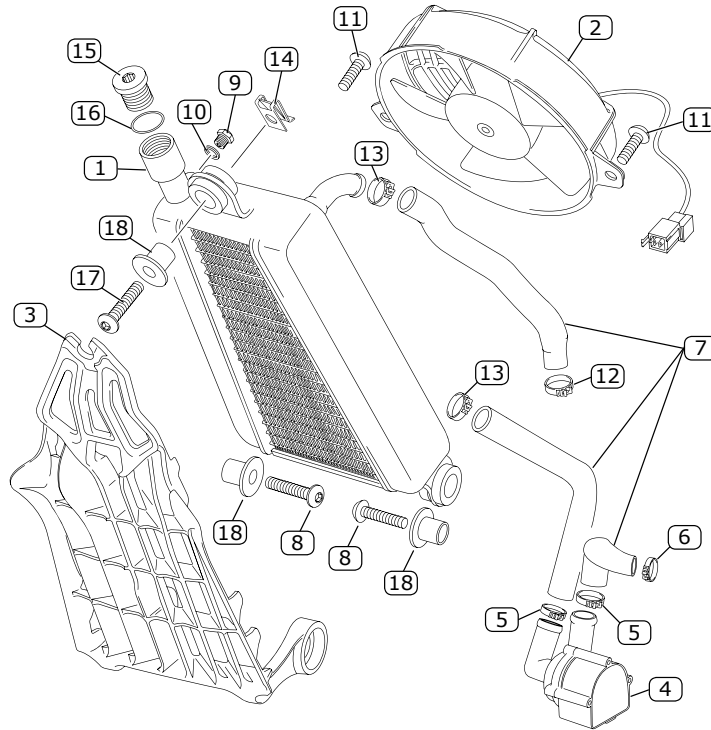
| POS. | COD. | DESCRIPCIÓN | DESCRIPTION | QTY. |
|------|--------|--------------------------------------|----------------------------------|------|
| 1 | V-0270 | BASCULANTE ALUMINIO NEGRO | BLACK ALUMINIUM SWINGARM | 1 |
| 2 | V-0521 | PATÍN CADENA | GUIDE CHAIN | 1 |
| 3 | V-0508 | PROTECTOR CORONA | SPROCKET PROTECTOR | 1 |
| 4 | V-0318 | CONJUNTO TENSOR CADENA | CHAIN TENSIONER SET | 1 |
| 5 | V-0522 | CUBRECADENA | CHAIN COVER | 1 |
| 6 | V-1689 | CABALLETE NEGRO | BLACK ANODIZED SIDESTAND | 1 |
| 7 | V-1246 | MUELLE CABALLETE | STAND SPRING | 1 |
| 8 | V-1253 | SOPORTE CABALLETE | SUPPORT STAND | 1 |
| 9 | V-1017 | TORNILLO M10X62 DIN 912 12.9 | SCREW M10x62 DIN 912 12.9 | 2 |
| 10 | V-0735 | SEMIEJE BASCULANTE DERECHO ROJO | RIGHT SIDE SWINGARM SEMIAXIS RED | 1 |
| 11 | V-0736 | SEMIEJE BASCULANTE IZQUIERDO ROJO | LEFT SIDE SWINGARM SEMIAXIS RED | 1 |
| 12 | V-0338 | RETEN 25X35X5 EJE BASCULANTE | SWINGARM LIP SEAL 25x35x5 | 2 |
| 13 | V-0281 | RODAMIENTO AGUJAS COMBINADO NKIA5904 | COMBINED NEEDLE BEARING NKIA5904 | 2 |
| 14 | V-0629 | JUNTA TÓRICA 31X2 EJE BASCULANTE | O-RING 31x2 SWINGARM SHAFT | 2 |
| 15 | V-0567 | PROTECTOR RODAMIENTO BASCULANTE | SWINGARM BEARING PROTECTOR | 2 |
| 16 | V-0460 | TORNILLO M8X25 DIN7991 8.8 NQ | SCREW M8x25 DIN7991 8.8 NQ | 1 |
| 17 | V-0908 | TORNILLO M8X20 DIN 6912 | SCREW M8x20 DIN 6912 | 3 |
| 18 | V-0556 | TORNILLO M5X10 ISO7380 10.9 | SCREW M5x10 ISO7380 10.9 | 4 |
| 19 | V-0457 | TORNILLO M5X10 DIN7991 10.9 | SCREW M5x10 DIN7991 10.9 | 4 |
| 20 | V-0568 | CASQUILLO PROTECTOR CADENA | CHAIN PROTECTOR SLEEVE | 2 |
| 21 | V-0977 | GOMA TENSOR CADENA | CHAIN GUIDE RUBBER | 1 |
| 22 | V-0875 | TORNILLO ESPECIAL CABALLETE M8X30 | SCREW M8x30 SIDESTAND | 1 |
| 23 | V-0683 | TORNILLO ROSCA CHAPA M4.2 X 32 MM | SCREW M4.2 X 32 mm | 1 |
| 24 | V-0470 | TUERCA M8 DIN 985 AUTOBLOCANTE | NUT M8 DIN 985 AUTO LOCK | 1 |
| 25 | V-1196 | SOPORTE MUELLE CABALLETE | SIDESTAND SPRING SUPPORT | 1 |
| 26 | V-0973 | PROTECTOR PIÑON CADENA CARTER | FRONT SPROCKET CHAIN PROTECTOR | 1 |
| 27 | V-0684 | TORNILLO ROSCA CHAPA 4.2X9.5 DIN7981 | SCREW 4.2x9.5 DIN 7981 | 2 |
| 28 | V-0320 | MUELLE TENSOR CADENA | CHAIN TENSIONER SPRING | 1 |



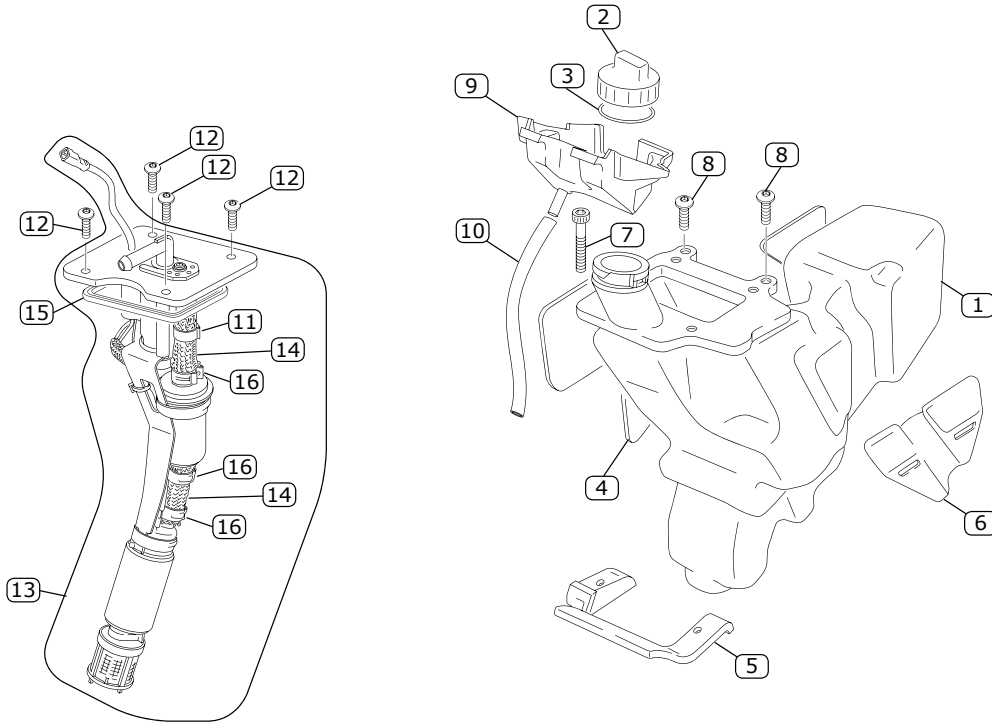
| POS. | COD. | DESCRIPCIÓN | DESCRIPTION | QTY. |
|------|--------|--|--|------|
| 1 | V-1914 | AMORTIGUADOR 2 WAYS NITRO DAMPER SPRING 75 | SHOCK ABSORBER 2 WAYS NITRO DAMPER SPRING 75 | 1 |
| 2 | V-1498 | TRAPECIO SUSPENSIÓN 2019 | SUSPENSION ROCKER 2019 | 1 |
| 3 | V-0397 | TRIANGULO SUSPENSIÓN IZQ. | LEFT LINKAGE SUPPORT | 1 |
| 4 | V-0398 | TRIANGULO SUSPENSIÓN DERECHO | RIGHT LINKAGE SUPPORT | 1 |
| 5 | V-1499 | TIRANTE SUSPENSIÓN 2019 | TIE LINEAR SUSPENSION LINKAGE 2019 | 2 |
| 6 | V-0575 | CASQUILLO AGUJAS HK-1616 2RS | NEEDLE CAP HK-1616 2RS | 2 |
| 7 | V-0282 | CASQUILLO AGUJAS HK-1620 2RS | NEEDLE CAP HK-1620 2RS | 4 |
| 8 | V-1218 | CASQUILLO TRAPECIO BASCULANTE LINEAL | LINEAR ROCKER SLEEVE | 4 |
| 9 | V-1200 | CASQUILLO TRAPECIO-TRIANGULOS LINEAL | LINEAR TIE ROD-LINKAGE SLEEVE | 2 |
| 10 | V-0577 | CASQUILLO ROSCADO TRAPECIO M10 | TIE ROD M10 THREADED SLEEVE | 1 |
| 11 | V-0322 | CASQUILLO ROSCADO TRAPECIO-AMORT | TIE ROD THREADED SLEEVE TIE ROD-SHOCK | 1 |
| 12 | V-0661 | CASQUILLO TRAPECIO INFERIOR | LOWER TIE ROD SLEEVE | 2 |
| 13 | V-0576 | CASQUILLO TRAPECIO SUPERIOR | UPPER TIE ROD SLEEVE | 1 |
| 14 | V-0431 | TORNILLO ESPECIAL M10X80 DIN 912 12.9 | SCREW M10X80 DIN 912 12.9 | 2 |
| 15 | V-0255 | TORNILLO ESPECIAL M10X70 DIN 912 12.9 | SCREW M10X35 DIN 912 12.9 | 1 |
| 16 | V-0256 | TORNILLO ESPECIAL M10X40 DIN 7984 12.9 | SCREW M10X40 DIN 7984 | 1 |
| 17 | V-0254 | TORNILLO M10 X 33 MM | TORNILLO ESPECIAL M10X33 DIN 912 12.9 | 2 |
| 18 | V-0256 | TORNILLO M10X42 DIN7984 12.9 ZINC PLATA | SCREW M10X40 DIN 7984 | 1 |
| 19 | V-1235 | RETEN 22X16X4 TRAPECIO LINEAL | LIP SEAL 22X16X4 LINEAR SUSPENSION ROCKER | 4 |
| 20 | V-0565 | TUERCA M10 DIN 6923 | M10 NUT DIN 6923 | 3 |



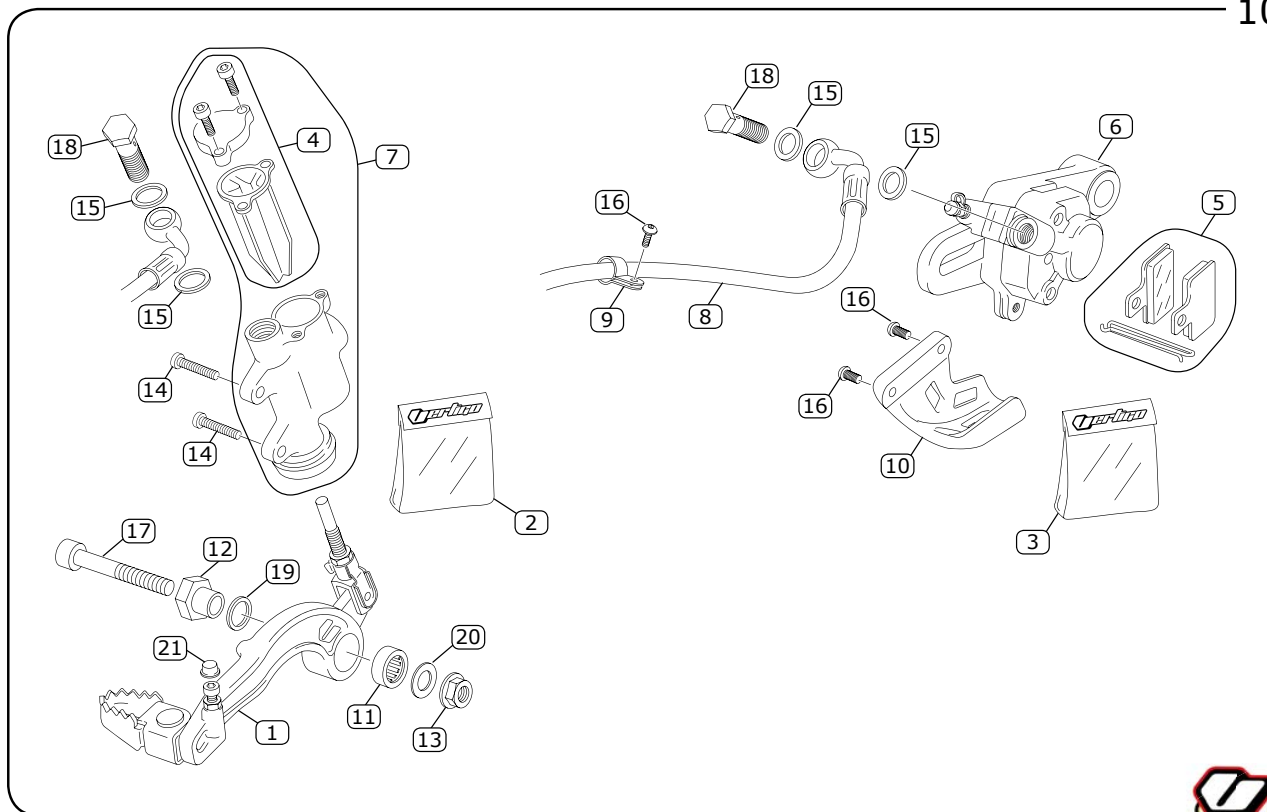
| POS. | COD. | DESCRIPCIÓN | DESCRIPTION | QTY. |
|------|--------|--|---------------------------------|------|
| 1 | V-1576 | BOMBA FRENO DELANTERA | FRONT BRAKE PUMP | 1 |
| 2 | V-1508 | CTO. BOMBA EMBRAGUE | CLUTCH PUMP SET | 1 |
| 3 | V-0355 | LATIGUILLO EMBRAGUE | CLUTCH HOSE | 1 |
| 4 | V-0364 | LATIGUILLO FRENO DELANTERO | FRONT BRAKE HOSE | 1 |
| 5 | V-0723 | RACOR FRENO DELANTERO | RACORD FRONT BRAKE | 1 |
| 6 | V-0724 | ARANDELA BANJO | BANJO WASHER | 2 |
| 7 | V-2026 | PINZA FRENO DELANTERA | FRONT BRAKE CALIPER | 1 |
| 8 | V-1562 | PASTILLAS FRENO DELANTERAS 2019 | 2019 FRONT BRAKE PADS | 1 |
| 9 | V-1563 | KIT REPARACIÓN PISTÓN PINZA FRENO DEL. | FRONT CALIPER PISTON REPAIR KIT | 1 |
| 10 | V-0366 | MANETA FRENO DELANTERA | FRONT BRAKE LEVER | 1 |
| 11 | V-1565 | KIT REPARACIÓN BOMBA FRENO DELANTERA | FRONT BRAKE PUMP REPAIR KIT | 1 |
| 12 | V-1566 | KIT REPARACIÓN BOMBA EMBRAGUE | CLUTCH PUMP REPAIR KIT | 1 |
| 13 | V-0722 | MANETA EMBRAGUE | CLUTCH LEVER | 1 |
| 14 | V-0611 | ARANDELA ALU. RACORD EMBRAGUE | CLUTCH RACORD ALUMINIUM WASHER | 2 |
| 15 | V-0610 | RACOR M10 EMBRAGUE | RACORD M10 CLUTCH | 1 |
| 16 | V-0895 | JUEGO PUÑOS RENTHAL | RENTHAL GRIPS SET | 1 |
| 17 | V-0303 | MANDO GAS | THROTTLE | 1 |
| 18 | V-0697 | CABLE GAS CON TENSOR | THROTTLE WIRE WITH TENSIONER | 1 |
| 19 | V-1782 | MANILLAR RENTHAL FATBAR NEGRO | RENTHAL FATBAR BLACK HANDLEBAR | 1 |
| 20 | V-1270 | PROTECTOR MANILLAR RENTHAL | RENTHAL HANDLEBAR PROTECTOR | 1 |
| 21 | V-1674 | KIT REGULACION MANETAS 2020 ROJO | RED LEVER ADJUSTERS | 1 |
| 22 | V-0943 | TAPA BOMBA ACEITE FRENO ROJA | RED BRAKE PUMP COVER | 1 |
| 23 | V-0939 | TAPA BOMBA ACEITE EMBRAGUE ROJO | RED CLUTCH PUMP COVER | 1 |



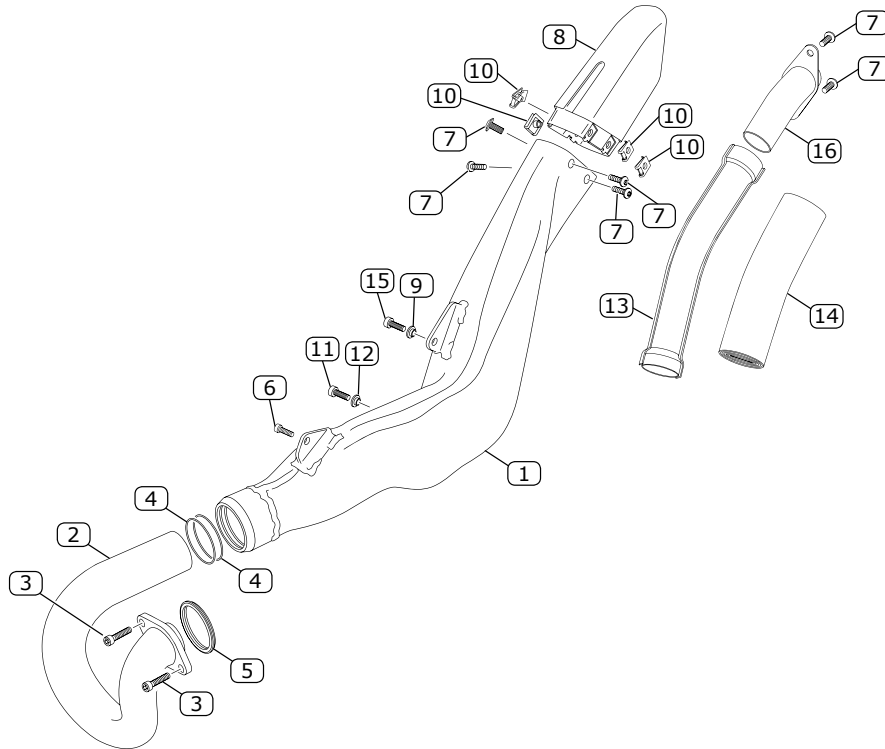
| POS. | COD. | DESCRIPCIÓN | DESCRIPTION | QTY. |
|------|--------|--|-----------------------------|------|
| 1 | V-1648 | RADIADOR RACING | RACING RADIATOR | 1 |
| 2 | V-1623 | VENTILADOR | FAN | 1 |
| 3 | V-1848 | PROTECTOR RADIADOR BLANCO | RADIATOR WHITE GRILL | 1 |
| 4 | V-1922 | BOMBA DE AGUA NITRO | NITRO WATER PUMP | 1 |
| 5 | V-1008 | ABRAZADERA COBRA 25/8 | COBRA CLAMP 25/8 | 2 |
| 6 | V-1516 | ABRAZADERA CLIK INOX 19 W-4 | CLAMP CLIK INOX 19 W-4 | 1 |
| 7 | V-2017 | KIT MANGUITOS SILICONA ROJO NITRO MY22 | RED SILICONE COOLANT HOSE | 1 |
| 8 | V-0447 | TORNILLO M6X20 DIN 912 8.8 | SCREW M6X20 DIN 912 8.8 | 2 |
| 9 | V-0796 | VÁLVULA RADIADOR | RADIATOR VALVE | 1 |
| 10 | V-1063 | ARANDELA ALUMINIO 8X12X1.5 | ALUMINIUM WASHER 8X12X1.5 | 1 |
| 11 | V-0557 | TORNILLO M5X12 ISO7830 8.8 | SCREW M5X12 ISO7830 8.8 | 2 |
| 12 | V-0588 | ABRAZADERA COBRA 22/8 | COBRA CLAMP 22/8 | 1 |
| 13 | V-0587 | ABRAZADERA COBRA 18/8 | COBRA CLAMP 18/8 | 2 |
| 14 | V-0679 | TUERCA RAPIDA TRT-M6-2 | FAST NUT TRT-M6-2 | 1 |
| 15 | V-0974 | TAPÓN RADIADOR | RADIATOR CAP | 1 |
| 16 | V-0979 | JUNTA TAPON RADIADOR | RADIATOR CAP O-RING | 1 |
| 17 | V-1054 | TORNILLO M6X40 DIN 912 10.9 | SCREW M6X40 DIN 912 10.9 | 1 |
| 18 | V-1067 | CASQUILLO SILENTBLOCK RADIADOR | RADIATOR SILENTBLOCK SLEEVE | 3 |



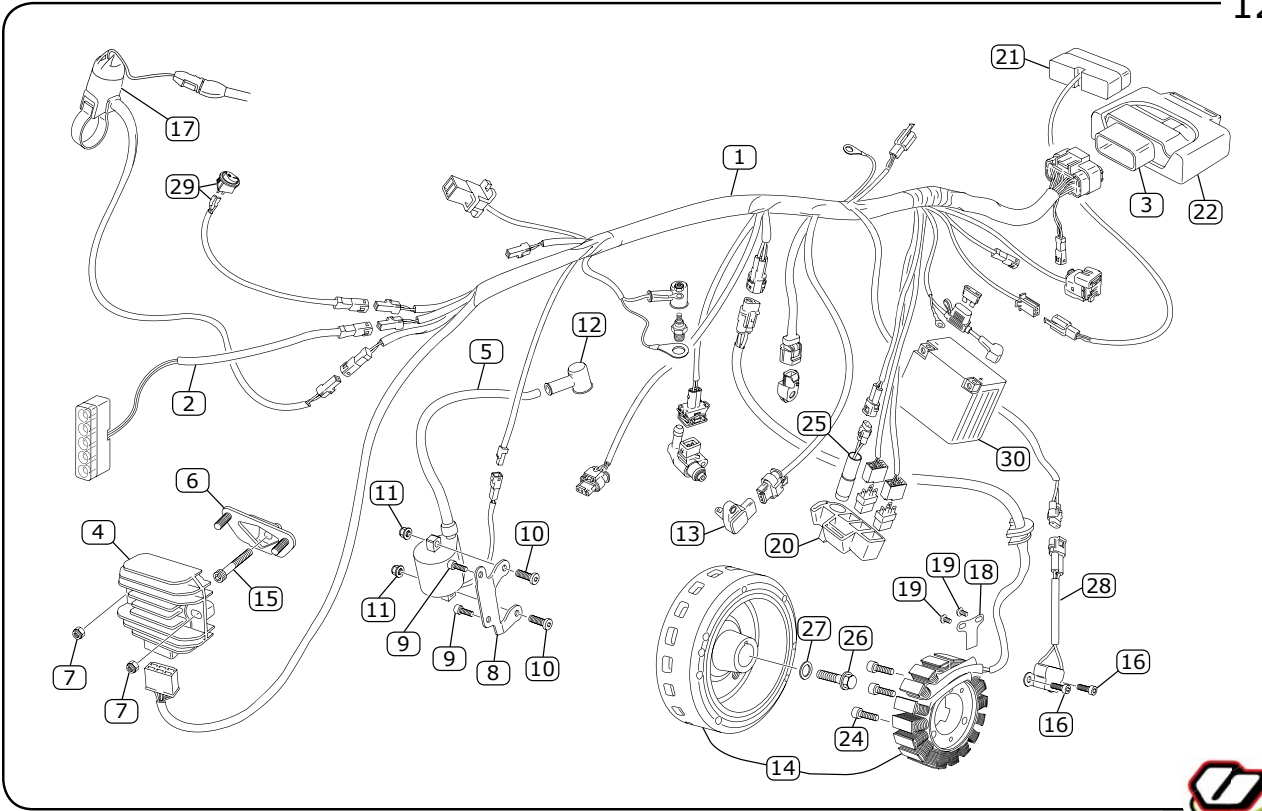
| POS. | COD. | DESCRIPCIÓN | DESCRIPTION | QTY. |
|------|--------|---------------------------------|------------------------------------|------|
| 1 | V-1856 | DEPÓSITO NITRO | NITRO FUEL TANK | 1 |
| 2 | V-1935 | TAPÓN DEPÓSITO GASOLINA | FUEL TANK CAP | 1 |
| 3 | V-0799 | JUNTA TÓRICA TAPÓN DEPÓSITO | FUEL TANK CAP O-RING | 1 |
| 4 | V-1980 | ADHESIVO TERMICO DEPOSITO NITRO | THERMAL SILENCER PROTECTOR STICKER | 1 |
| 5 | V-0530 | GOMA INFERIOR SOPORTE DEPOSITO | LOWER FUEL TANK RUBBER SUPPORT | 1 |
| 6 | V-1925 | PROTECTOR DEPOSITO NITRO | NITRO DEPOSIT COVER | 1 |
| 7 | V-0555 | TORNILLO M5X30 DIN 912 | SCREW M5X30 DIN 912 | 1 |
| 8 | V-0554 | TORNILLO M5X10 DIN 6912 8.8 | SCREW M5X10 DIN 6912 8.8 | 2 |
| 9 | V-1907 | REBOSADERO | OVERFLOW | 1 |
| 10 | V-1617 | TUBO DESVAPORIZADOR RACING | BREATHER HOSE | 1 |
| 11 | V-1266 | BRIDA COBRA 11,0/7 | COBRA CLAMP 11,0/7 | 1 |
| 12 | V-0556 | TORNILLO M5X12 ISO 7830 8.8 | SCREW M5X12 ISO 7830 8.8 | 2 |
| 13 | V-1192 | CONJUNTO BOMBA GASOLINA 2017 | PETROL PUMP SET 2017 | 1 |
| 14 | V-1256 | TUBO GASOLINA DE BOMBA A FILTRO | PETROL HOSE PUMP-FILTER | 1 |
| 15 | V-0630 | JUNTA GOMA REGISTRO | PETROL TANK REGISTER SEAL | 1 |
| 16 | V-1248 | ABRAZADERA CLIK INOX-A2 W4 D-12 | INOX CLICK CLAMP A2 W4 D-12 | 3 |



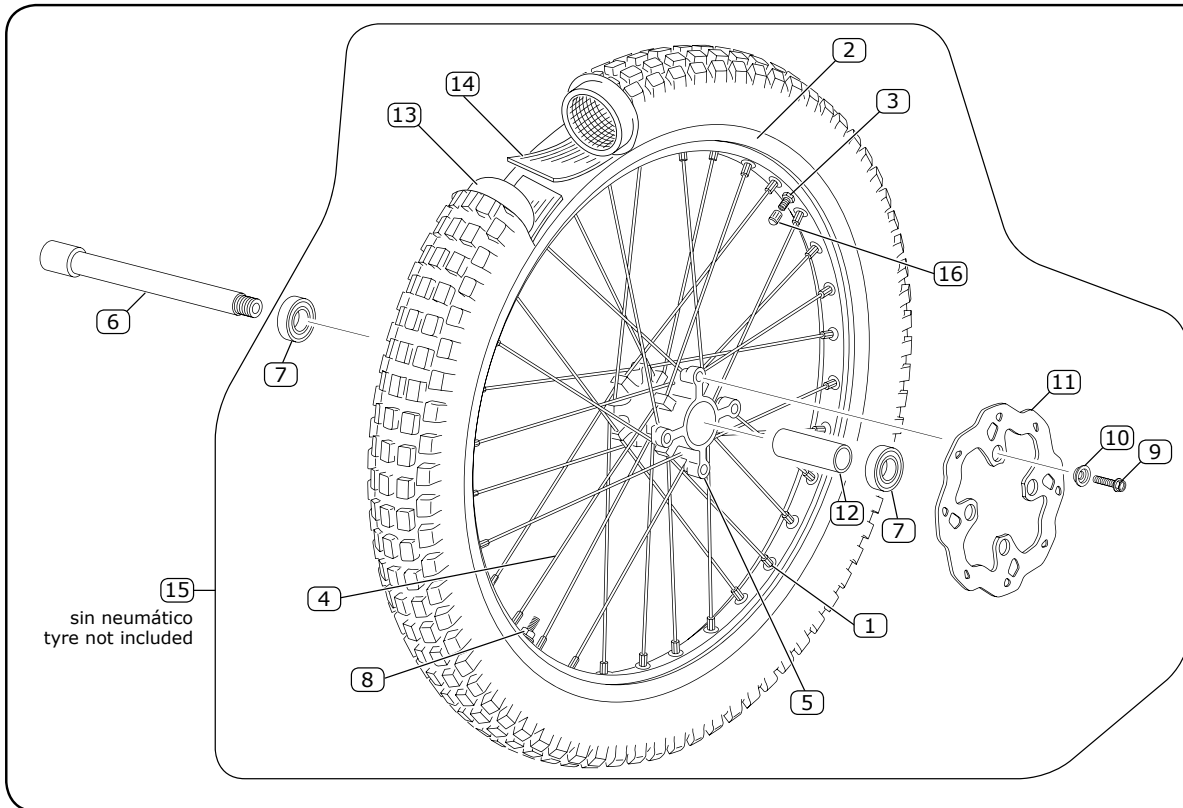
| POS. | COD. | DESCRIPCIÓN | DESCRIPTION | QTY. |
|------|--------|---------------------------------------|--|------|
| 1 | V-1929 | PALANCA FRENO DL12 | REAR BRAKE PEDAL DL12 | 1 |
| 2 | V-1568 | KIT REPARACION BOMBA FRENO TRAS. 2020 | REAR BRAKE PUMP REPAIR KIT 2020 | 1 |
| 3 | V-1569 | KIT REPARACION PINZA TRASERA Ø25 2020 | REAR BRAKE CALIPER REPAIR KIT Ø25 2020 | 1 |
| 4 | V-0964 | KIT TAPA BOMBA FRENO TRASERO | REAR BRAKE PUMP COVER KIT | 1 |
| 5 | V-0368 | PASTILLAS DE FRENO TRASERAS | REAR BRAKE PADS | 1 |
| 6 | V-1572 | PINZA FRENO TRASERO 2020 | REAR BRAKE CALIPER 2020 | 1 |
| 7 | V-1573 | BOMBA FRENO TRASERO 2020 | REAR BRAKE PUMP 2020 | 1 |
| 8 | V-1986 | LATIGUILLO FRENO TRASERO NITRO | NITRO REAR BRAKE HOSE | 1 |
| 9 | V-0590 | GRAPA SUJECCIÓN LATIGUILLO | HOSE FASTENER CLIP | 1 |
| 10 | V-0513 | PROTECTOR DISCO FRENO TRASERO | REAR BRAKE DISC PROTECTOR | 1 |
| 11 | V-0405 | RODAMIENTO PEDAL FRENO | BRAKE PEDAL BEARING | 1 |
| 12 | V-0404 | CASQUILLO HEXAGONAL | HEXAGONAL CAP | 1 |
| 13 | V-0685 | TUERCA M8 DIN 985 AUTOBLOCANTE | NUT M8 DIN 985 AUTOLOCK | 1 |
| 14 | V-0561 | TORNILLO M6X25 DIN 7984 8.8 | SCREW M6X25 DIN 7984 8.8 | 2 |
| 15 | V-1009 | ARANDELA BANJO FRENO TRASERO | REAR BRAKE BANJO WASHER | 4 |
| 16 | V-0556 | TORNILLO M6X10 ISO 7380 8.8 | SCREW M6X10 ISO 7380 8.8 | 1 |
| 17 | V-0466 | TORNILLO M8X50 DIN6912 10.9 | SCREW M8X50 DIN6912 10.9 | 1 |
| 18 | V-1010 | RACOR FRENO TRASERO | REAR BRAKE RACOR | 1 |
| 19 | V-1238 | ARANDELA 12X24X2.5 DIN125 | WASHER DIN 125 12X24X2.5 | 1 |
| 20 | V-0874 | ARANDELA M8 | WASHER M8 | 1 |
| 21 | V-1527 | TAPON NEGRO DIN915 M5 | BLACK CAP DIN915 M5 | 1 |



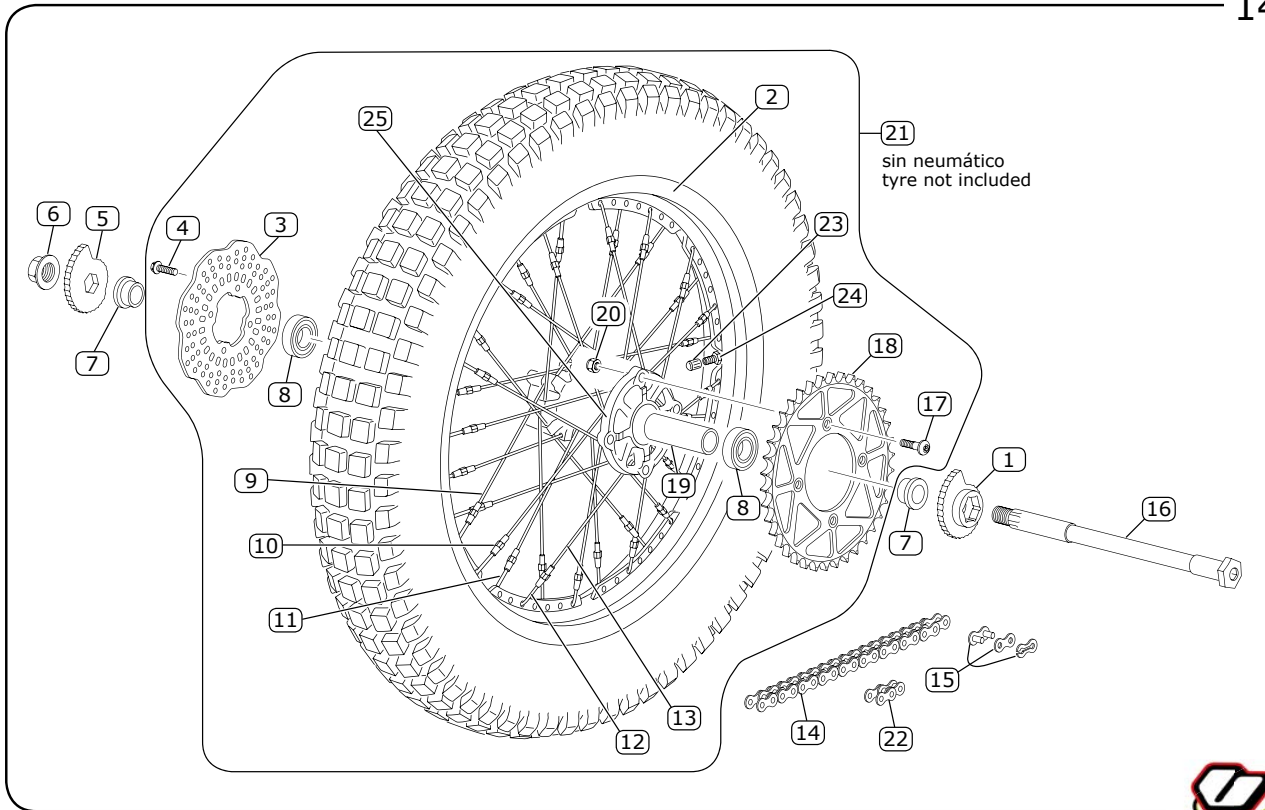
| POS. | COD. | DESCRIPCIÓN | DESCRIPTION | QTY. |
|------|--------|--|--------------------------------------|------|
| 1 | V-2028 | SILENCIADOR NITRO NEGRO MY22 JB | NITRO BLACK EXHAUST MY22 | 1 |
| 2 | V-2023 | COLECTOR NITRO JB69 MY22 | EXHAUST NITRO JB69 MY22 | 1 |
| 3 | V-0447 | TORNILLO M6X20 DIN 912 8.8 | SCREW M6X20 DIN 912 8.8 | 2 |
| 4 | V-0386 | JUNTA TÓRICA SILENCIADOR 0.44X3.50 VITON | SILENCER O-RING 044X3,50 VITON | 1 |
| 5 | V-0512 | JUNTA ESCAPE 38X45.2X5.5 | EXHAUST SEAL 38X45.2X5.5 | 2 |
| 6 | V-0645 | TORNILLO M6X16 DIN7984 8.8 | SCREW M6X16 DIN7984 8.8 | 1 |
| 7 | V-0556 | TORNILLO M5X10 ISO7380 10.9 ZINC PLATA | SCREW M5X10 ISO7380 10.9 | 6 |
| 8 | V-1987 | CAZOLETA ESCAPE NITRO | EXHAUST END CAP | 1 |
| 9 | V-1943 | CASQUILLO LIMITADOR COMPRESION M8 | M8 COMPRESSION LIMITER SLEEVE | 1 |
| 10 | V-0653 | TUERCA RAPIDA TRT-M5-1 | FAST NUT TRT-M5-1 | 4 |
| 11 | V-0560 | TORNILLO M6X20 ISO7380 10.9 NQ | SCREW M6X20 ISO 7380 8.8 | 1 |
| 12 | V-1944 | CASQUILLO LIMITADOR COMPRESION M6 | M6 COMPRESSION LIMITER SLEEVE | 1 |
| 13 | V-1989 | SUPRESOR INTERIOR ESCAPE NITRO | EXHAUST MUFFLER NITRO 125CC | 1 |
| 14 | V-1988 | FIBRA ESCAPE NITRO | EXHAUST FIBERGLASS NITRO 125CC | 1 |
| 15 | V-1692 | TORNILLO M8X25 DIN 912 10.9 NIQUEL NEGRO | SCREW M8X25 DIN 912 10.9 BLACK | 1 |
| 16 | V-2032 | CURVA SALIDA CAZOLETA NITRO MY22 | NITRO EXHAUST END CAP CURVE MY22 | 1 |
| 16 | V-2033 | CURVA SALIDA CAZOLETA NITRO MY22 USA | NITRO EXHAUST END CAP CURVE MY22 USA | 1 |



| POS. | COD. | DESCRIPCIÓN | DESCRIPTION | QTY. |
|------|--------|---------------------------------------|---------------------------------------|------|
| 1 | V-2003 | INSTALACION ELECTRICA RACING ST | RACING ST HARNESS | 1 |
| 2 | V-1717 | INSTALACION ELECTRICA DELANTERA | FRONT WIRING LOOM | 1 |
| 3 | V-1849 | ECU VERTICAL R4 | ECU VERTICAL R4 | 1 |
| 4 | V-0591 | REGULADOR | REGULATOR | 1 |
| 5 | V-0300 | BOBINA ENCENDIDO | IGNITION COIL | 1 |
| 6 | V-0794 | SOPORTE REGULADOR | REGULATOR SUPPORT | 1 |
| 7 | V-0863 | TUERCA DIN 985 M6 | M6 NUT DIN 985 | 2 |
| 8 | V-0660 | SOPORTE BOBINA | IGNITION COIL SUPPORT | 1 |
| 9 | V-0440 | TORNILLO M5X6 ISO 7380 8.8 | SCREW M5X6 ISO 7380 8.8 | 2 |
| 10 | V-0462 | TORNILLO M6X16 DIN912 8.8 | SCREW M6X16 DIN912 8.8 | 2 |
| 11 | V-0836 | TUERCA DIN 985 M6 | M6 NUT DIN 985 | 2 |
| 12 | V-0427 | PIPA BUJÍA | SPARK PLUG PIPE | 1 |
| 13 | V-1969 | SENSOR PRESION +TEMPERATURA | PRESSURE AND AIR TEMP SENSOR | 1 |
| 14 | V-0394 | CTO. ROTOR/STATOR | ROTOR/STATOR SET | 1 |
| 15 | V-1054 | TORNILLO M6X40 DIN912 10.9 NQ | SCREW M6X40 DIN 912 10.9 SILVER ZINC | 1 |
| 16 | V-0434 | TORNILLO M5X10 DIN 7984 8.8 | SCREW M5X10 DIN 7984 8.8 | 2 |
| 17 | V-1443 | DISPOSITIVO HOMBRE AL AGUA | MAGNETIC KILL SWTICH | 1 |
| 18 | V-0637 | CHAPA SOP.CABLES ALTERNADOR | STATOR CABLE SUPPORT | 1 |
| 19 | V-1324 | TORNILLO M5X6 BN 6404 ISO 7380-1 | SCREW M5X6 BN 6404 ISO 7380-1 | 2 |
| 20 | V-1868 | CAJA COMPONENTES ELECTRONICOS | ELECTRONIC COMPONENTS BOX | 1 |
| 21 | V-1942 | INSTALACION LED TRASERO NITRO | NITRO REAR LED HARNESS | 1 |
| 22 | V-1978 | FUNDA GOMA ECU RX | ECU RX RUBBER SLEEVE | 1 |
| 23 | V-1767 | RELÉ INSTALACION ELECTRICA | WIRING LOOM RELAY | 2 |
| 24 | V-0561 | TORNILLO M6X25 DIN912 8.8 ZINC PLATA | SCREW M6X25 DIN 912 8.8 | 3 |
| 25 | V-1945 | INSTALACION CONDENSADOR NITRO | NITRO INSTALL CAPACITOR | 3 |
| 26 | V-0732 | TORNILLO M10X30MM | SCREW M10X30MM | 1 |
| 27 | V-0492 | ARANDELA ALTERANDOR | FLYWHEEL WASHER | 1 |
| 28 | V-1946 | INSTALACION PICK UP NITRO | NITRO INSTALL PICK UP | 1 |
| 29 | V-1747 | INSTALACIÓN DOBLE MAPA | MAPPING SWITCH WIRING LOOM | 1 |
| 30 | V-1977 | BATERIA NITRO CCA140/12.8V/25.6WH/2AH | BATTERY NITRO CCA140/12.8V/25.6WH/2AH | 1 |



| POS. | COD. | DESCRIPCIÓN | DESCRIPTION | QTY. |
|------|--------|--|---------------------------------------|------|
| 1 | V-0373 | TUERCA RADIO | SPOKE NUT | 32 |
| 2 | V-0371 | LLANTA DEL. 1.60 X 21 | FRONT RIM 1.60 X 21 | 1 |
| 3 | V-0385 | VÁLVULA TUBELESS | TUBELESS VALVE | 1 |
| 4 | V-0372 | RADIO DEL. M3.5 X 0.6 L255 MM | FRONT WHEEL SPOKE M3.5 X 0.6 L255 MM | 32 |
| 5 | V-1678 | BUJE DELANTERO VERTIGO ROJO | VERTIGO RED ANODIZED FRONT WHEEL HUB | 1 |
| 6 | V-0334 | EJE RUEDA DELANTERO | FRONT WHEEL SHAFT | 1 |
| 7 | V-0510 | RODAMIENTO BUJE 6004 2RS | BEARING HUB 6004 2 RS | 2 |
| 8 | V-0375 | AGARRE CUBIERTA DELANTERA | FRONT WHEEL GRIP | 1 |
| 9 | V-0437 | TORNILLO ESPECIAL M6X20 ESP. DISCO FRENO | SPECIAL SCREW M6X20 BRAKE DISC SPACER | 4 |
| 10 | V-0325 | CASQUILLO DISCO FRENO FLOTANTE | FLOATING BRAKE DISC SLEEVE | 4 |
| 11 | V-0348 | DISCO FRENO DELANTERO | FRONT BRAKE DISC | 1 |
| 12 | V-1003 | CASQUILLO INTERIOR BUJE DEL. | FRONT HUB INNER SLEEVE | 1 |
| 13 | V-0278 | CAMARA DELANTERA 21MD VALVE TR4 | FRONT INNER TUBE 21MD VALVE TR4 | 1 |
| 14 | V-0747 | PROTECTOR CAMARA AIRE DEL. | FRONT INNERTUBE PROTECTOR | 1 |
| 15 | V-2043 | CTO. RUEDA DEL BUSTO MY22 | BUSTO FRONT WHEEL SET MY22 | 1 |
| 16 | V-0762 | TAPON VALVULA VERDE | GREEN VALVE CAP | 1 |



| POS. | COD. | DESCRIPCIÓN | DESCRIPTION | QTY. |
|------|--------|--|--|------|
| 1 | V-0332 | EXCENTRICA RUEDA TRAS IZQUIERDA | LEFT REAR WHEEL ECCENTRIC WASHER | 1 |
| 2 | V-0626 | LLANTA TRAS. 2.15 X 18 TUBELESS MECANIZADA | REAR RIM 2.15 X 18 TUBELESS MECHANIZED | 1 |
| 3 | V-1275 | DISCO FRENO TRASERO FIM | REAR FIM BRAKE DISC | 1 |
| 4 | V-0682 | TORNILLO ESPECIAL M6X20 DISCO FRENO | SPECIAL SCREW M6X20 BRAKE DISC | 4 |
| 5 | V-0331 | EXCENTRICA RUEDA TRAS DERECHA | RIGHT REAR WHEEL ECCENTRIC WASHER | 1 |
| 6 | V-0552 | TUERCA RUEDA TRASERA | REAR WHEEL NUT | 1 |
| 7 | V-0549 | CASQUILLO RUEDA TRASERA | REAR WHEEL SLEEVE | 2 |
| 8 | V-0510 | RODAMIENTO BUJE 6004 2RS | BEARING HUB 6004 2 RS | 2 |
| 9 | V-0381 | RADIO RUEDA TRASERA M4 X 0.7 L165 MM | REAR WHEEL SPOKE M4 X 0.7 L165 MM | 16 |
| 10 | V-0383 | TUERCA TENSOR RADIO M4 | REAR WHEEL SPOKE NUT M4 | 32 |
| 11 | V-0382 | RADIO RUEDA TRAS. M4 X 0.7 LG 34.5 MM | REAR WHEEL SPOKE M4 X 0.7 LG 34.5MM | 16 |
| 12 | V-0380 | RADIO RUEDA TRAS. CORONA M4 X 0.7 L36 MM | REAR WHEEL SPOKE CROWN SIDE M4X0.7 L36 MM | 16 |
| 13 | V-0379 | RADIO RUEDA TRAS. CORONA M4 X 0.7 L175 MM | REAR WHEEL SPOKE CROWN SIDE M4X0.7 L175 MM | 16 |
| 14 | V-1031 | CADENA REGINA - 103 | CHAIN REGINA - 103 | 1 |
| 15 | V-0674 | ENGANCHE CADENA | CHAIN LINK | 1 |
| 16 | V-0333 | EJE RUEDA TRASERO | REAR WHEEL SHAFT | 1 |
| 17 | V-0681 | TORNILLO ESPECIAL CORONA M8 X 25 MM | SPECIAL SCREW M8X25 10.9 REAR SPROCKET | 4 |
| 18 | V-1502 | CORONA Z42 | CHAINWHEEL Z42 | 1 |
| 19 | V-1004 | CASQUILLO INTERIOR BUJE TRASERO | REAR HUB INNER SLEEVE | 1 |
| 20 | V-0470 | TUERCA M8 DIN 985 AUTOBLOCANTE | NUT M8 DIN 985 AUTO LOCK | 4 |
| 21 | V-2044 | CTO. RUEDA TRAS BUSTO MY22 | BUSTO FRONT WHEEL SET MY22 | 1 |
| 22 | V-1032 | MEDIA MALLA | HALF CHAIN LINK | 1 |
| 23 | V-0762 | TAPÓN VALVULA VERDE | GREEN VALVE CAP | 1 |
| 24 | V-0385 | VÁLVULA TUBELESS | TUBELESS VALVE | 1 |
| 25 | V-1679 | BUJE TRASERO VERTIGO ROJO | VERTIGO RED ANODIZED WHEEL HUB | 1 |

Vertigo

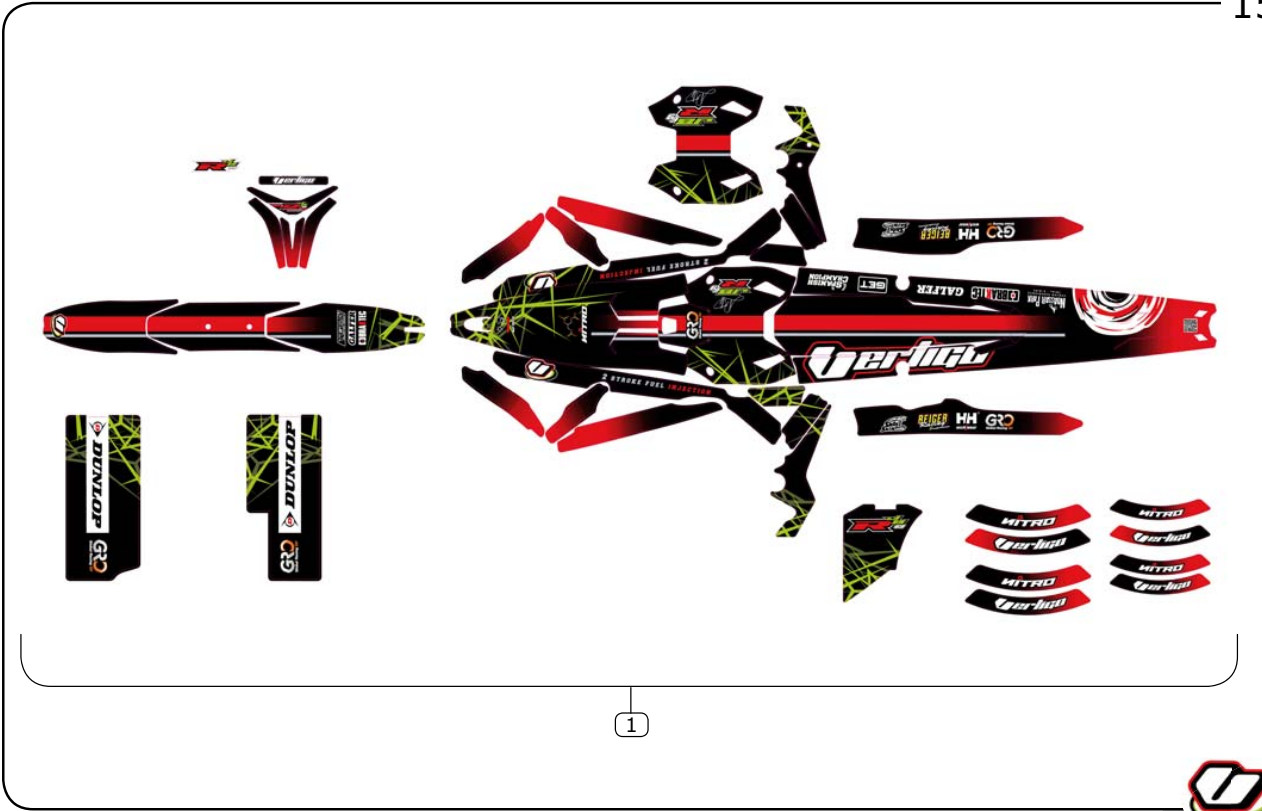
2022

R⁺

300cc

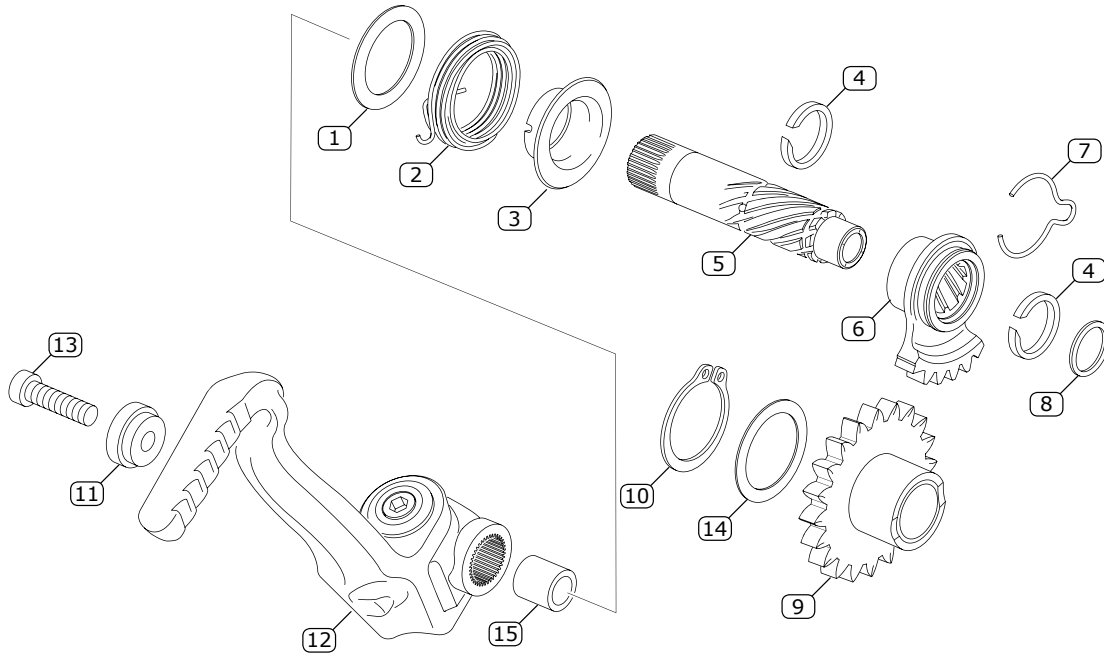
Adhesivos
Stickers

15

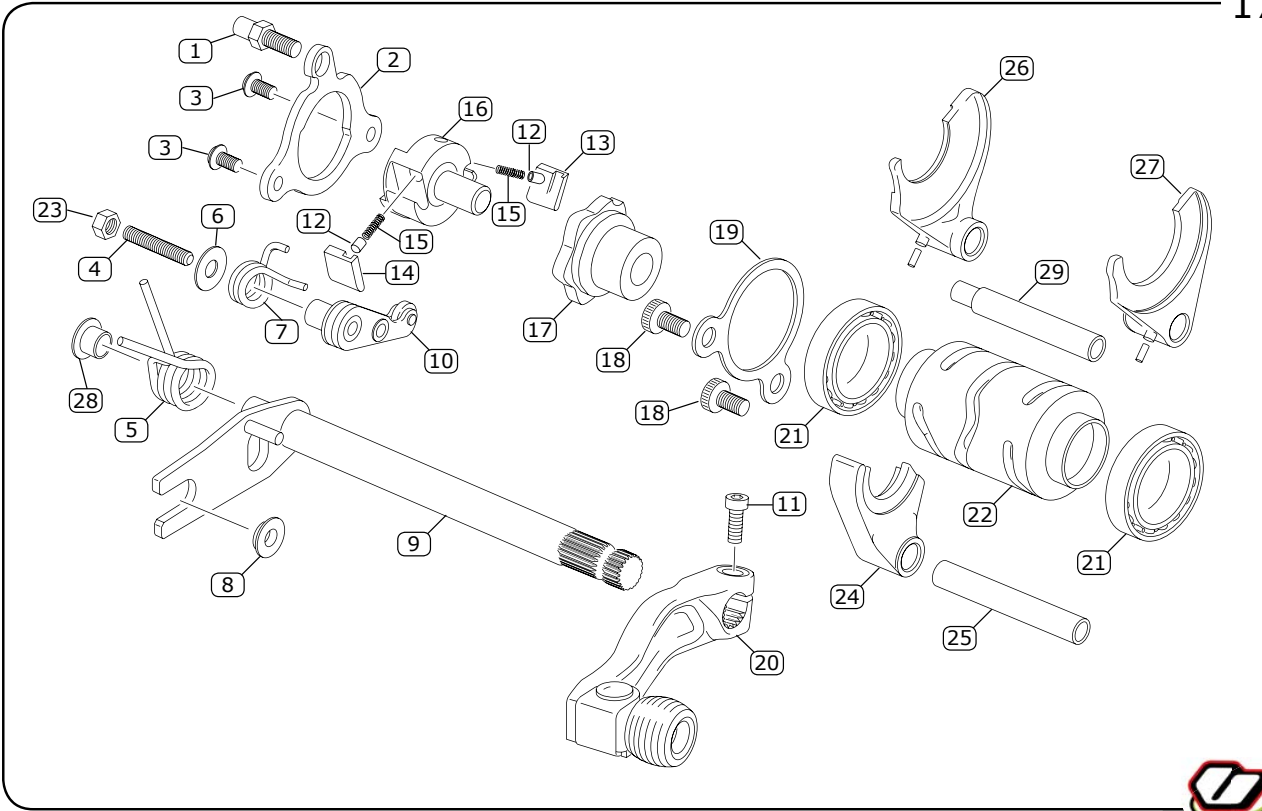


1

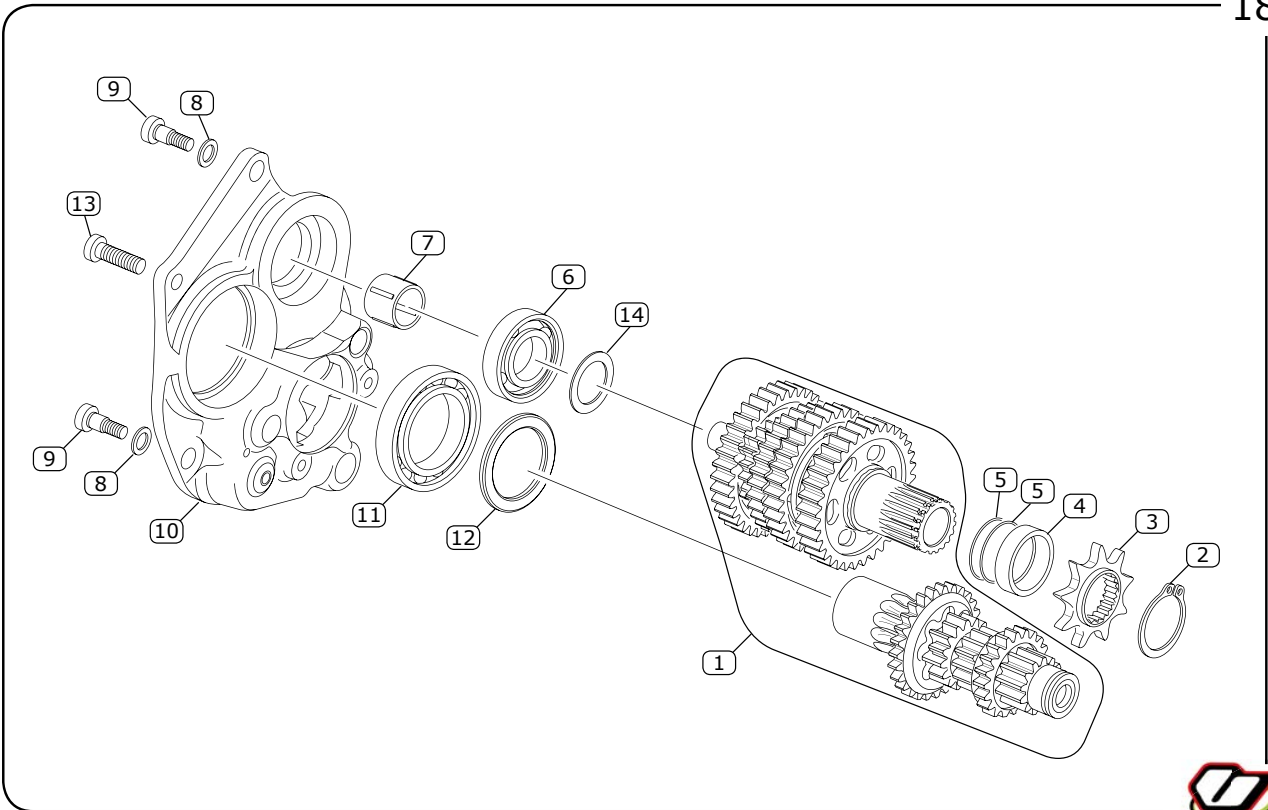
| POS. | COD. | DESCRIPCIÓN | DESCRIPTION | QTY. |
|------|--------|------------------------|--------------------------|------|
| 1 | V-2034 | KIT ADHESIVOS JB MY 22 | JB DECO STICKER KIT MY22 | 1 |



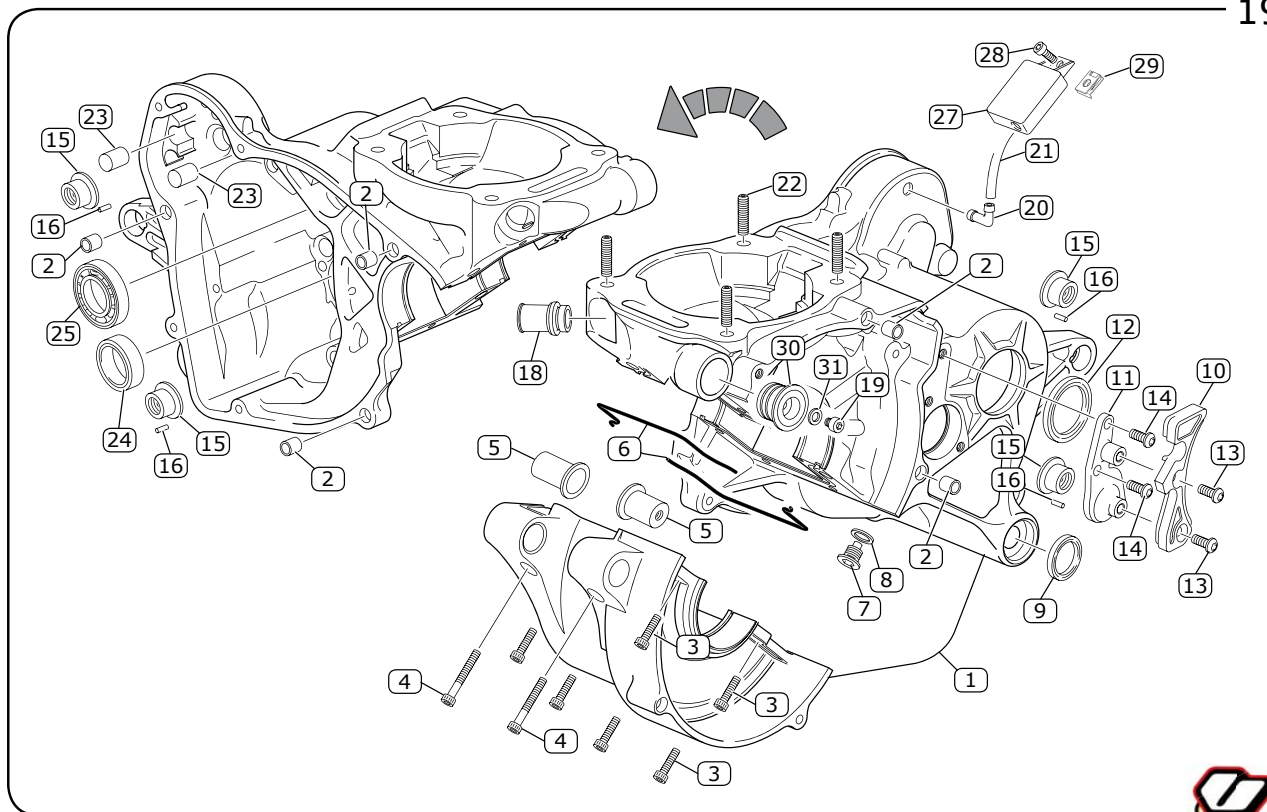
| POS. | COD. | DESCRIPCIÓN | DESCRIPTION | QTY. |
|------|--------|--------------------------------------|----------------------------|------|
| 1 | V-0752 | ARANDELA 18X40X0.5 | WASHER 18X40X0.5 | 1 |
| 2 | V-0232 | MUELLE ARRANQUE | KICKSTART SPRING | 1 |
| 3 | V-0229 | CENTRADOR MUELLE ARRANQUE | KICKSTART SPRING BUSH | 1 |
| 4 | V-0648 | SEEGER EJE ARRANQUE | KICKSTART SEEGER SHAFT | 2 |
| 5 | V-0231 | EJE ARRANQUE | KICKSTART SHAFT | 1 |
| 6 | V-0251 | PIÑÓN DE ARRANQUE | KICKSTART GEAR | 1 |
| 7 | V-0230 | MUELLE DE FRICCIÓN ARRANQUE | KICKSTART FRICTION SPRING | 1 |
| 8 | V-0753 | ARANDELA 14X25X0.5 | WASHER 14X25X0.5 | 1 |
| 9 | V-1260 | PIÑÓN INT. ARRANQUE 2019 | INNER KICKSTART GEAR 2019 | 1 |
| 10 | V-1420 | SEEGER EXTERNO 14X1 | SEEGER 14X1 | 1 |
| 11 | V-1309 | CASQ. FIJACIÓN PALANCA ARRANQUE ROJO | RED KICKSTART SLEEVE | 1 |
| 12 | V-0299 | PALANCA DE ARRANQUE | KICKSTART | 1 |
| 13 | V-1708 | TORNILLO M6X30 DIN812 12.9 NT | SCREW M6X30 DIN812 12.9 NT | 1 |
| 14 | V-0753 | ARANDELA 14X25X0.5MM | WASHER 14X25X0.5MM | 1 |
| 15 | V-1703 | CASQUILLO SEPARADOR PALANCA ARRANQUE | KICKSTART SPACER | 1 |



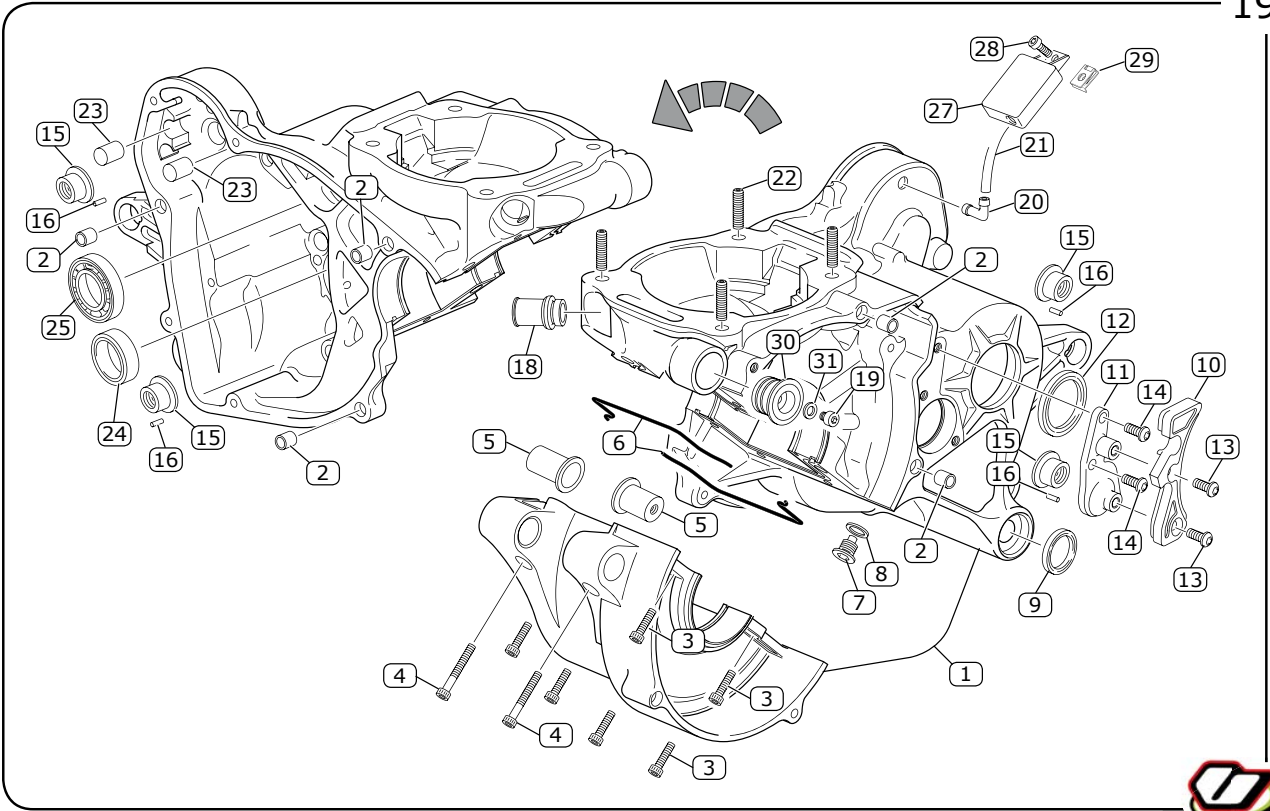
| POS. | COD. | DESCRIPCIÓN | DESCRIPTION | QTY. |
|------|--------|-------------------------------------|---------------------------------|------|
| 1 | V-1869 | TOPE MUELLE SELECTOR R3 | SPRING SELECTOR STOP R3 | 1 |
| 2 | V-1866 | PLETINA RETORNO DESMODRÓMICO R3 | RETURN SHIFT PLATE | 1 |
| 3 | V-0554 | TORNILLO M5X10 DIN 912 8.8 | SCREW M5X10 DIN 912 8.8 | 2 |
| 4 | V-0811 | ESPARRAGO DIN 913 (ISO 4026) M5X35 | STUD M5X35 913 ISO 4026 | 1 |
| 5 | V-0243 | MUELLE FIJADOR MARCHAS | GEAR SELECTOR SPRING | 1 |
| 6 | V-0810 | ARANDELA DIN 9021 M5 | WASHER DIN 9021 M5 | 1 |
| 7 | V-0228 | MUELLE FIJADOR MARCHAS | GEAR SELECTOR SPRING | 1 |
| 8 | V-0220 | CASQUILLO SELECTOR DESMODRÓMICO | DESMODROMIC SHIFT SLEEVE | 1 |
| 9 | V-1867 | EJE SELECTOR 2021 | 2021 SHIFT SHAFT | 1 |
| 10 | V-0269 | POLEA FIJADOR MARCHAS | SHIFT SELECTOR PULLEY | 1 |
| 11 | V-0645 | TORNILLO M6X16 DIN7984 8.8 | SCREW M6X16 DIN7984 8.8 | 1 |
| 12 | V-0247 | TETÓN LEVA CAMBIO | CAM SHIFT PIPE | 2 |
| 13 | V-0245 | LEVA CAMBIO IZQUIERDA | LEFT SHIFT CAM LEVER | 1 |
| 14 | V-0246 | LEVA CAMBIO DERECHA | RIGHT SHIFT CAM LEVER | 1 |
| 15 | V-0248 | MUELLE TETÓN LEVA CAMBIO | CAM SHIFT PIPE SPRING | 2 |
| 16 | V-0221 | SELECTOR DESMODRÓMICO | DRUM SHIFT CAM SHORT LEVELS | 1 |
| 17 | V-0226 | ESTRELLA SELECTOR CAMBIO | SHIFT DRUM SELECTOR | 1 |
| 18 | V-0556 | TORNILLO M5X10 ISO7380 10.9 | SCREW M5X10 ISO7380 10.9 | 2 |
| 19 | V-0227 | PLETINA SUJECIÓN ROD. CAMBIO | BEARING SUPPORT PLATE | 1 |
| 20 | V-1619 | PALANCA CAMBIO RACING | RACING SHIFTER LEVER | 1 |
| 21 | V-0285 | RODAMIENTO 61804 DESMODRÓNICO | BEARING 61804 SHIFT DRUM | 2 |
| 22 | V-0225 | TAMBOR DESMODRÓMICO | DESMODROMIC SHIFT DRUM | 1 |
| 23 | V-0812 | TUERCA M5 DIN985 AUTOBLOCANTE | M5 NUT AUTOLOCK | 1 |
| 24 | V-0240 | HORQUILLA EJE PRIMARIO | PRIMARY SHAFT GEAR FORK | 1 |
| 25 | V-0244 | EJE HORQUILLA 89.9MM | GEAR FORK SHAFT 89.9MM | 1 |
| 26 | V-0242 | HORQUILLA 6ª SECUNDARIO | SECONDARY SHAFT 6TH GEAR FORK | 1 |
| 27 | V-0241 | HORQUILLA 5ª SECUNDARIO | SECONDARY SHAFT 5TH GEAR FORK | 1 |
| 28 | V-0678 | CASQUILLO CENTRADOR MUELLE SELECTOR | SELECTOR SHAFT CENTERING SLEEVE | 1 |
| 29 | V-0676 | EJE HORQUILLA 2 DIÁMETROS | DOUBLE DIAMETER FORK SHAFT | 1 |



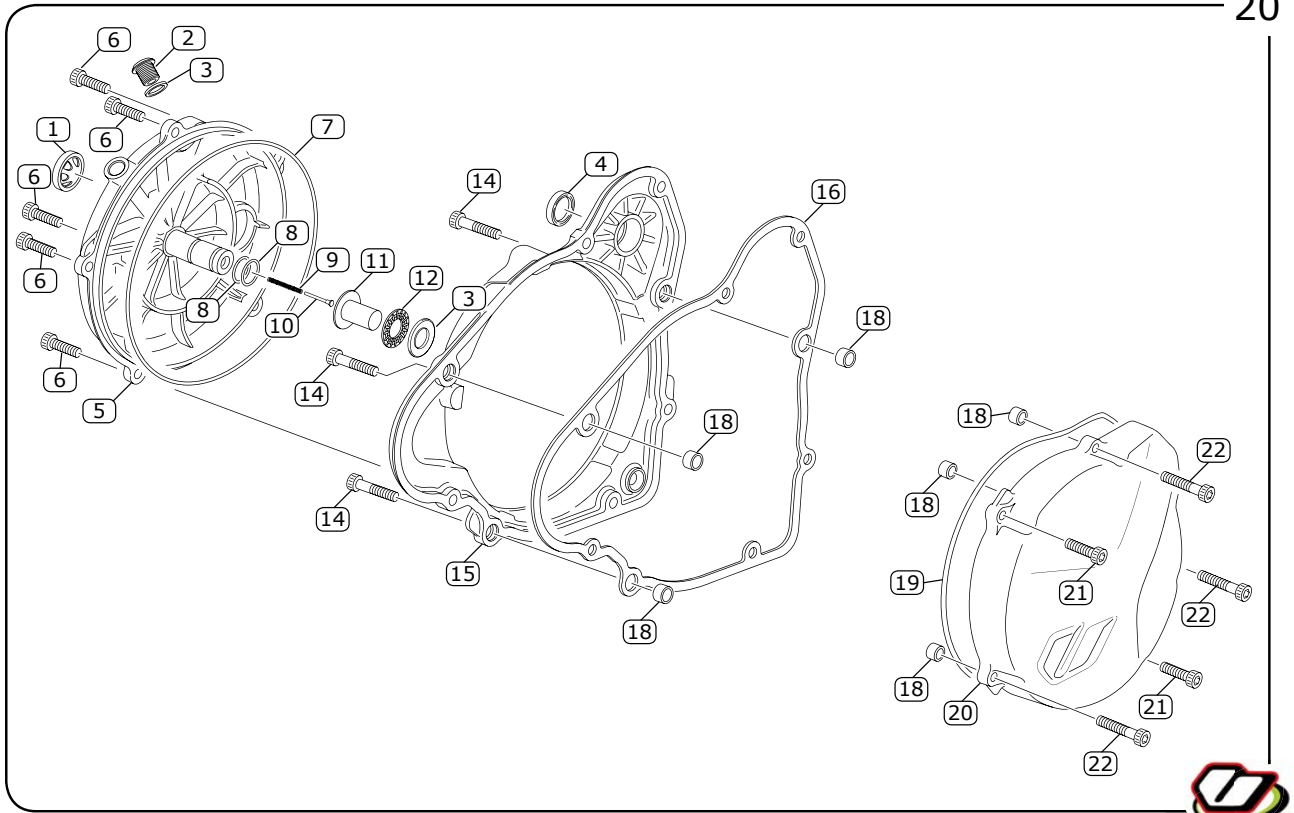
| POS. | COD. | DESCRIPCIÓN | DESCRIPTION | QTY. |
|------|--------|---|--|------|
| 1 | V-1426 | CAMBIO COMPLETO 2019 | GEARBOX ASSY 2019 | 1 |
| 2 | V-0584 | SEEGER D.25X1.2 DIN471 | SEEGER PINION EXIT | 1 |
| 3 | V-0313 | PIÑÓN SALIDA Z10 | SPROCKET Z10 | 1 |
| 4 | V-0309 | CASQUILLO PIÑÓN SALIDA | SHIFT SEAL BUSHING | 1 |
| 5 | V-0634 | JUNTA TÓRICA 25X1.5 | O-RING 25X1.5 | 2 |
| 6 | V-1424 | RODAMIENTO INA 16003 | INA BEARING 16003 | 2 |
| 7 | V-1425 | RODAMIENTO K14X18X15 | BEARING K14X18X15 | 1 |
| 8 | V-1042 | ARANDELA DIN 433 M8 | WASHER DIN 433 M8 | 2 |
| 9 | V-1041 | TORNILLO AJUSTABLE M6X10 ISO7379 12.9 Ø8 F9 | ADJUSTABLE SCREW M6X10 ISO 7379-12.9 Ø8 F9 | 2 |
| 10 | V-1301 | TAPA SUJECION CAMBIO 2019 | GEARBOX PLATE 2019 | 1 |
| 11 | V-1423 | RODAMIENTO 61906 | BEARING 61906 | 1 |
| 12 | V-1422 | SEPARADOR DE CORONA 2019 | CROWN SPACER 2019 | 2 |
| 13 | V-0559 | TORNILLO M6X20 DIN 7984 8.8 | SCREW M6X20 DIN 7984 8.8 | 2 |
| 14 | V-1419 | ARANDELA 17X23X0.5 | WASHER 17X23X0.5 | 1 |



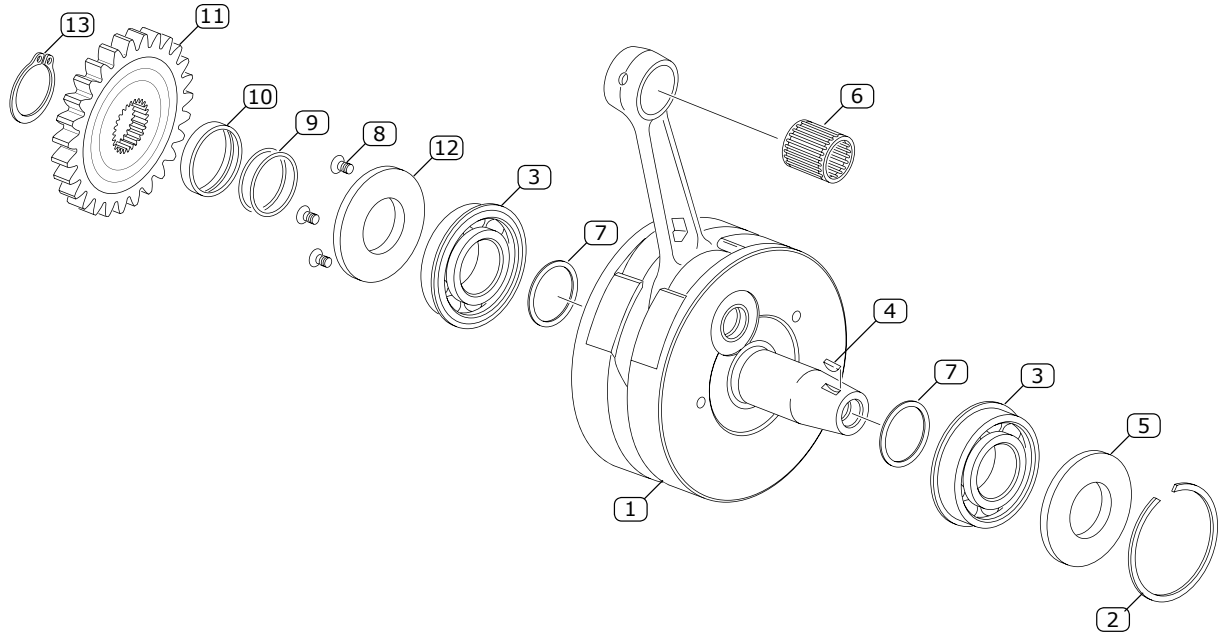
| POS. | COD. | DESCRIPCIÓN | DESCRIPTION | QTY. |
|------|--------|---------------------------------------|---|------|
| 1 | V-2022 | CTO CARTER NITRO MY22 | NITRO MY22 CRANKCASE | 1 |
| 2 | V-0639 | CASQUILLO CENTRADOR CARTER | CRANKCASE CENTRING SLEEVE | 9 |
| 3 | V-0447 | TORNILLO M6X20 DIN 7984 8.8 | SCREW M6X20 DIN 7984 8.8 | 6 |
| 4 | V-0453 | TORNILLO M6X45 DIN 912 10.9 | SCREW M6X45 DIN 912 10.9 | 2 |
| 5 | V-0547 | CASQUILLO CARTER/SUBCHASIS DEL | CARTER/FRONT SUBFRAME SLEEVE | 2 |
| 6 | V-1322 | HILO TÓRICO 2.0X135MM | O-RING 2.0X135 | 1 |
| 7 | V-0312 | TAPÓN VACIADO ACEITE | DRAIN PLUG OIL | 1 |
| 8 | V-0472 | ARANDELA COBRE TAPÓN ACEITE 12/16/1.5 | COOPER WASHER OIL | 1 |
| 9 | V-0340 | RETEN 12X22X7 EJE SELECTOR/CARTER | LIP SEAL 12X22X7 GEAR PEDAL/CRANKCASE | 1 |
| 10 | V-0579 | PROTECTOR PIÑON CADENA | CRANKCASE CHAIN PROTECTOR | 1 |
| 11 | V-0529 | TAPA EJE PRIMARIO | PRIMARY SHAFT COVER | 1 |
| 12 | V-0342 | RETEN 30X36X5 EJE SECUNDARIO/CARTER | LIP SEAL 30X36X5 SECONDARY SHAFT/CRANKCASE | 1 |
| 13 | V-0651 | TORNILLO M5X10 DIN 6912 8.8 | SCREW M5X10 DIN 6912 8.8 | 2 |
| 14 | V-1321 | TORNILLO 5X10 TORX BN 6404 ISO 7380-1 | SCREW 5X10 TORX BN 6404 ISO 7380-1 | 3 |
| 15 | V-0640 | CASQUILLO ROSCADO CARTER | CRANKCASE THREADED SLEEVE | 4 |
| 16 | V-1068 | CLAVIA 3X10MM DIN7 | PIN 3X10MM DIN7 | 4 |
| 17 | V-0506 | SOPORTE RACOR BOMBA/CARTER | SUPPORT FITTING PUMP/CRANKCASE | 1 |
| 18 | V-0505 | RACOR BOMBA/CARTER | FITTING PUMP/CRANKCASE | 1 |
| 19 | V-0643 | TORNILLO M5X6 DIN 912 8.8 | SCREW M5X6 DIN 912 8.8 | 1 |
| 20 | V-1406 | DESVAPOORIZADOR CAMBIO | BREATHER | 1 |
| 21 | V-1617 | TUBO DESVAPOORIZADOR RACING | RACING GEARBOX BREATHE TUBE | 1 |
| 22 | V-0464 | TORNILLO M8X30 DIN 835 8.8 | SCREW M8X30 DIN 835 8.8 | 4 |
| 23 | V-0310 | TOPE PALANCA ARRANQUE | STOP KICKSTART PEDAL | 2 |
| 24 | V-0283 | RODAMIENTO BOLAS CONTACTO ANGULAR | TWO ROWS BALL BEARING | 1 |
| 25 | V-0287 | RODAMIENTO BOLAS SECUNDARIO/PIÑÓN | BALL BEARING 6005 SECONDARY SHAFT | 1 |
| 26 | V-0336 | SEEGER D.32 1.2 FINAL CARTER/PRIMARIO | CRANKCASE PRIMARY SHAFT SEEGER D.32 DIN 472 | 1 |
| 27 | V-1798 | CAJA DESVAPOORIZADOR | BREATHER BOX | 1 |
| 28 | V-0557 | TORNILLO M5X12MM | SCREW M5X12MM | 1 |
| 29 | V-0653 | TUERCA RAPIDA TRT-M5-1 | FAST NUT TRT-M5-1 | 1 |
| 30 | V-1976 | TAPON RACOR/CARTER NEGRO | BLACK CRANKCASE FITTING CAP | 1 |



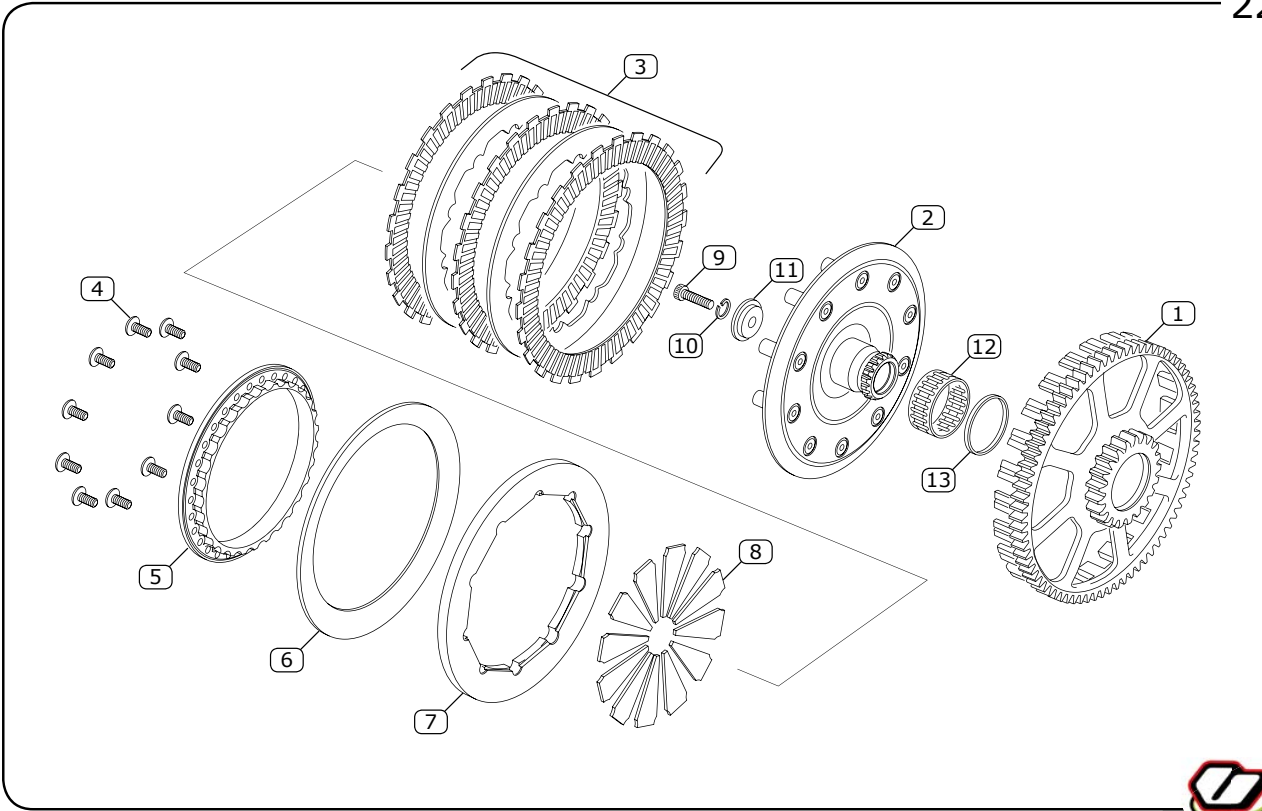
| POS. | COD. | DESCRIPCIÓN | DESCRIPTION | QTY. |
|------|--------|----------------------|---------------------|------|
| 31 | V-0800 | ARANDELA COBRE 5X9X1 | COPPER WASHER 5X9X1 | 1 |



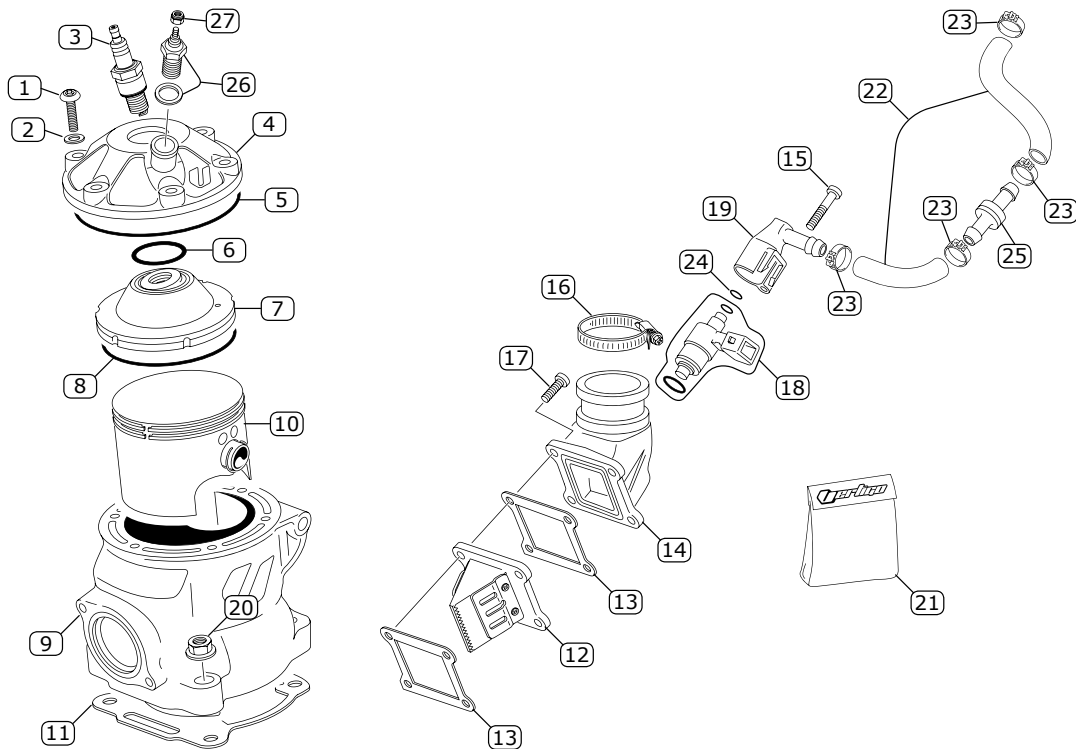
| POS. | COD. | DESCRIPCIÓN | DESCRIPTION | QTY. |
|------|--------|--|--|------|
| 1 | V-0314 | MIRILLA VISOR ACEITE | WINDOW DISPLAY OIL | 1 |
| 2 | V-1274 | TAPÓN LLENADO ACEITE ROJO | OIL FILLER CAP RED | 1 |
| 3 | V-0472 | ARANDELA COBRE TAPÓN ACEITE | COOPER WASHER OIL | 1 |
| 4 | V-0339 | RETÉN 18X24X4 | LIP SEAL 18X24X4 | 1 |
| 5 | V-1898 | TAPA EMBRAGUE MECANIZADA | CLUTCH COVER | 1 |
| 6 | V-2038 | TORNILLO M5X20 DIN 912 8.8 | SCREW M5X20 DIN 912 8.8 | 5 |
| 7 | V-1991 | JUNTA TORICA 133,07 X 1.78 (70NBR) BLACK | O-RING 133,07 X 1.78 (70NBR) BLACK | 2 |
| 8 | V-0662 | TORICA BOMBIN EMBRAGUE 11.5X1.5 | CLUTCH PUMP O-RING 11.5X1.5 | 2 |
| 9 | V-0308 | MUELLE PISTON EMBRAGUE | CLUTCH PISTON SPRING | 1 |
| 10 | V-0307 | GUIA MUELLE PISTÓN EMBRAGUE | CLUTCH PISTON SPRING GUIDE | 1 |
| 11 | V-0305 | PISTON BOMBIN EMBRAGUE | CLUTCH PUMP PISTON | 1 |
| 12 | V-0286 | ROD. AXIAL AGUJAS AXK1730 EMP. EMBRAGUE | AXIAL NEEDLE BEARING CLUTCH PISTON BEARING | 1 |
| 13 | V-0306 | EMPUJADOR EMBRAGUE | CLUTCH PISTON BEARING PLATE | 1 |
| 14 | V-0448 | TORNILLO M5X20 DIN912 8.8 NQ | SCREW M5X20 DIN 912 8.8 | 3 |
| 15 | V-1899 | TAPA EMBRAGUE INTERMEDIA MECANITZADA | INTERMEDIATE MACHINED CLUTCH COVER | 1 |
| 16 | V-0262 | JUNTA TAPA EMBRAGUE | CLUTCH COVER GASKET | 1 |
| 17 | V-0639 | CASQUILLO CENTRADOR CARTER | CRANKCASE CENTERING SLEEVE | 6 |
| 18 | V-0639 | CASQUILLO CENTRADOR | CENTERING SLEEVE | 3 |
| 19 | V-0527 | JUNTA TAPA ALTERNADOR | FLYWHEEL COVER GASKET | 1 |
| 20 | V-1347 | TAPA ALTERNADOR VERTICAL | FLYWHEEL COVER | 1 |
| 21 | V-0448 | TORNILLO M5X20 DIN912 8.8 NQ | SCREW M5X20 DIN 912 8.8 | 2 |
| 22 | V-0452 | TORNILLO M5X25 DIN912 8.8 NQ | SCREW M5X25 DIN 912 10.9 | 3 |



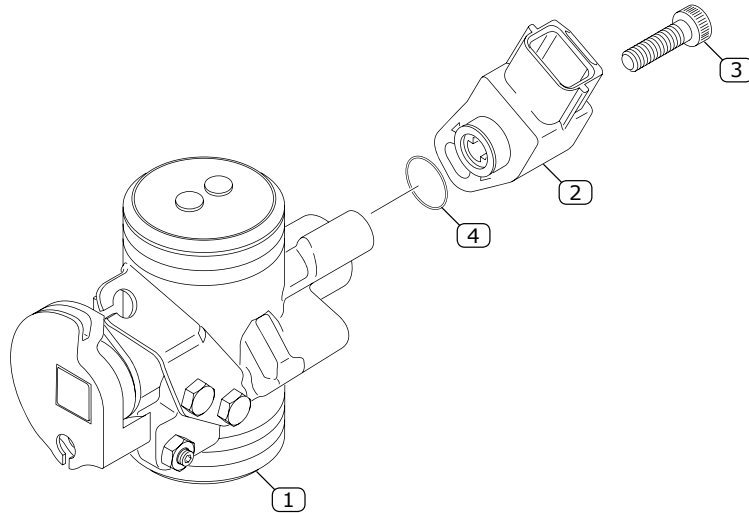
| POS. | COD. | DESCRIPCIÓN | DESCRIPTION | QTY. |
|------|--------|--|---------------------------------------|------|
| 1 | V-1262 | CIGUEÑAL 116MM 2019 | CRANKSHAFT 116MM 2019 | 1 |
| 2 | V-1349 | SEEGER D.52 DIN5417 | SEEGER D.52 DIN5417 | 1 |
| 3 | V-1351 | COJINETE CIGUEÑAL 6205 NR 2RS | CRANKSHAFT BEARING 6205 NR 2RS | 2 |
| 4 | V-0636 | CHAVETA CIGUEÑAL DIN 6888 | CRANKSHAFT COTTER DIN 6888 | 1 |
| 5 | V-1886 | RETEN CIGÜEÑAL 25X52X5 TPM | CRANKSHAFT LIP SEAL 25X52X5 TPM | 1 |
| 6 | V-0315 | RODAMIENTO AGUJAS 18X22X22 BIELA | NEEDLE ROLLER BEARING 18X22X22 CONROD | 1 |
| 7 | V-0859 | ARANDELA 30X25.2X0.2 | WASHER 30X25.2X0.2 | 2 |
| 8 | V-1352 | TORNILLO M4X8 DIN 7991 ZN PLATA | SCREW M4X8 DIN 7991 ZN SILVER | 3 |
| 9 | V-0634 | TORICA RODAMIENTO CIGÜEÑAL 25X1 VITON | O-RING 25X1 VITON | 2 |
| 10 | V-1535 | CASQUILLO CIGÜEÑAL | CRANKSHAFT SLEEVE | 1 |
| 11 | V-1261 | PIÑON TRANSMISION PRIMARIA | PRIMARY TRANSMISSION GEAR | 1 |
| 12 | V-1887 | RETÉN CASQUILLO CIGÜEÑAL 30X52X5 VITON | CRANKSHAFT SLEEVE VITON LIP SEAL | 1 |
| 13 | V-0584 | SEEGER D.25X1.2 DIN471 | SEEGER PINION EXIT | 1 |



| POS. | COD. | DESCRIPCIÓN | DESCRIPTION | QTY. |
|------|--------|---------------------------------|----------------------------|------|
| 1 | V-1209 | CAMPANA EMBRAGUE | 2019 CLUTCH CROWN | 1 |
| 2 | V-1885 | CUBO EMBRAGUE COMPLETO R3 | R3 CLUTCH HUB SET | 1 |
| 3 | V-1888 | KIT DISCOS EMBRAGUE R3 | R3 CLUTCH DISC SET | 1 |
| 4 | V-0432 | TORNILLO M4X10 INOX A2 TORX | SCREW M4X10 INOX A2 TORX | 10 |
| 5 | V-1889 | SOPORTE MUELLE EMBRAGUE R3 | R3 CLUTCH SPRING SUPPORT | 1 |
| 6 | V-1890 | MUELLE EMBRAGUE 1,5MM R3 | R3 CLUTCH SPRING 1.5MM | 1 |
| 7 | V-1214 | PRENSA EMBRAGUE 2019 | 2019 CLUTCH PRESSURE PLATE | 1 |
| 8 | V-1217 | PALANQUETA EMBRAGUE 2019 | 2019 CLUTCH RELEASE ARM | 10 |
| 9 | V-0774 | TORNILLO M5X20 DIN912 | SCREW M5X20 DIN912 | 1 |
| 10 | V-1170 | ARANDELA AET M5 | WASHER AET M5 | 1 |
| 11 | V-0326 | CASQUILLO NUCLEO EMBRAGUE | CLUTCH HUB SLEEVE | 1 |
| 12 | V-0260 | RODAMIENTO AGUJAS K28X31X13 | NEEDLE BEARING K28X31X13 | 1 |
| 13 | V-1651 | CASQUILLO GUIA CAMPANA EMBRAGUE | CLUTCH CROWN SLEEVE | 1 |



| POS. | COD. | DESCRIPCIÓN | DESCRIPTION | QTY. |
|------|--------|--|---|------|
| 1 | V-0451 | TOR. ESPECIAL M6X25 10.9 DELTA PROTEK KL100 | SCREW M6X25 10.9 DELTA PROTEK KL100 | 6 |
| 2 | V-0737 | ARANDELA COBRE 6X10X1.5 | COPPER WASHER 6X10X1.5 | 6 |
| 3 | V-0290 | BUJÍA BPMR6A | SPARK PLUG BPMR6A | 1 |
| 4 | V-1273 | TAPA CULATA ROJA | CYLINDER HEAD COVER RED | 1 |
| 5 | V-0569 | JUNTA TÓRICA EXT. CULATA 104,40 X 1.78 VITON | CYLINDER HEAD EXT. O-RING 104,40 X 1.78 VITON | 1 |
| 6 | V-0292 | JUNTA TÓRICA CULATÍN | CYLINDER HEAD COVER O-RING | 1 |
| 7 | V-0291 | CULATÍN 300CC | CYLINDER HEAD 300CC | 1 |
| 8 | V-0570 | TÓRICA INT. CULATA 83 X 87 X 2 | RING EXT. HEAD 83X87X2 | 1 |
| 9 | V-0258 | CILINDRO 300CC | CYLINDER 300CC | 1 |
| 10 | V-1305 | PISTON 300 "A" | PISTON 300 "A" | 1 |
| 10 | V-0726 | PISTON 300 "B" | PISTON 300 "B" | 1 |
| 10 | V-0966 | PISTON 300 "C" | PISTON 300 "C" | 1 |
| 11 | V-1610 | JUNTA CILINDRO | CYLINDER GASKET | 1 |
| 12 | V-0272 | CAJA LÁMINAS | REED VALVE | 1 |
| 13 | V-0548 | JUNTA CAJA LÁMINAS 0.8MM | REED VALVE GASKET 0.8MM | 2 |
| 14 | V-0200 | TOBERA ADMISIÓN | AIR INTAKE MANIFOLD | 1 |
| 15 | V-0436 | TORNILLO M5X30 DIN 7984 8.8 | SCREW M5X30 DIN 7984 8.8 | 1 |
| 16 | V-0604 | ABRAZADERA TORRO 25-40/9 W2 | TORRO CLAMP 25-40/9 W2 | 1 |
| 17 | V-0865 | TORNILLO M5X25 DIN7984 8.8 | SCREW M5X25 DIN7984 8.8 | 4 |
| 18 | V-0298 | INYECTOR | FUEL INJECTOR | 1 |
| 19 | V-0421 | CONECTOR INYECTOR | INJECTOR SUPPORT | 1 |
| 20 | V-0471 | TUERCA M8 DIN 6923 | NUT M8 DIN 6923 | 4 |
| 21 | V-0755 | KIT LAMINAS ADMISIÓN | REED VALVE KIT | 1 |
| 22 | V-0754 | TUBO GASOLINA | PETROL HOSE | 1 |
| 23 | V-0838 | ABRAZADERA COBRA 13/8 | COBRA CLAMP 13/8 | 4 |
| 24 | V-0802 | TORICA SUP. INYECTOR 6.35X1.78 | INJECTOR UPPER O-RING 6.35X1.78 | 1 |
| 25 | V-1199 | VALVULA ANTIRETORNO | ONE WAY VALVE | 1 |
| 26 | V-1483 | SENSOR TEMPERATURA AIGUA 2019 | WATER TEMPERATURE SENSOR 2019 | 1 |
| 27 | V-0812 | TUERCA M5 AUTOBLOCANTE | M5 NUT | 1 |



| POS. | COD. | DESCRIPCIÓN | DESCRIPTION | QTY. |
|------|--------|------------------------------------|------------------------------------|------|
| 1 | V-1612 | CTO. CUERPO INYECCIÓN RACING | RACING THROTTLE BODY SET | 1 |
| 2 | V-0422 | SENSOR POSICIÓN CUERPO GAS | THROTTLE POSITION SENSOR | 1 |
| 3 | V-0435 | TORNILLO M5X16 DIN 7984 8.8 | SCREW M5X16 DIN 7984 8.8 | 1 |
| 4 | V-1504 | TORICA SENSOR TPS 11.00X1.00 VITON | TPS SENSOR O-RING 11.00X1.00 VITON | 1 |

CONTACT US

GENERAL INFORMATION

info@vertigomotors.com



VERTIGO